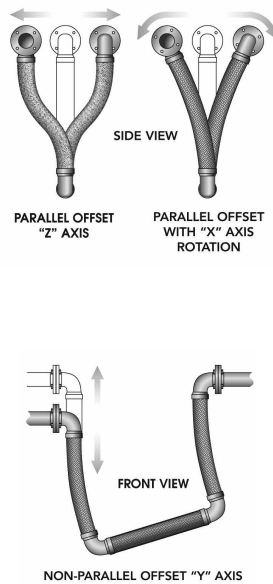
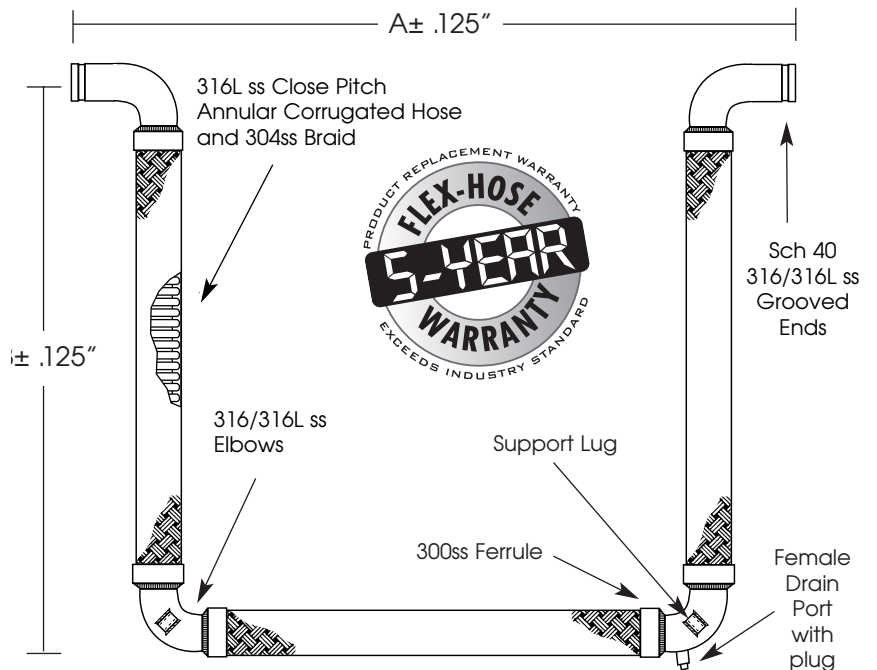
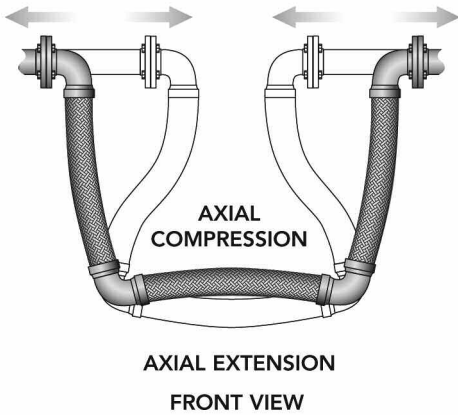


# Tri-Flex Loop® Expansion Loops & Seismic Connectors

## Movement Capabilities



Qty	I.D. (in.)	Dimensions		Pressure (PSI)		Movement Capability					Drain Port (in.)	Wt. (lb.)	Notes
		"A" (in.)	"B" (in.)	@ 70° F	@ 200° F	Compression (in.)	Extension (in.)	Parallel (in.)	Rotation "X" Axis (Deg.)	Non-Parallel "Y" Axis (in.)			
	1.0	25.75	20.50	750	690	4.0	4.0	4.0	30°	2.0	½"	7	
	1.5	32.00	24.50	565	519	4.0	4.0	4.0	25°	2.0	½"	13	
	2.0	37.00	28.25	500	460	4.0	4.0	4.0	20°	2.0	½"	18	
	2.5	41.00	31.00	400	368	4.0	4.0	4.0	20°	2.0	¾"	30	
	3.0	45.25	34.00	285	262	4.0	4.0	4.0	15°	2.0	¾"	40	
	4.0	55.75	40.00	250	230	4.0	4.0	4.0	10°	2.0	¾"	70	
	5.0	71.25	51.00	200	184	4.0	4.0	4.0	10°	2.0	¾"	117	
	6.0	77.00	54.25	220	202	4.0	4.0	4.0	5°	2.0	¾"	166	
	8.0	92.00	63.25	200	184	4.0	4.0	4.0	5°	2.0	¾"	302	
	10.0	110.00	74.38	200	184	4.0	4.0	4.0	5°	2.0	¾"	520	
	12.0	125.00	84.38	160	147	4.0	4.0	4.0	3°	2.0	¾"	752	

Working pressures shown for the hose and braid are based on an operating temperature of 70°F (21°C) with a 4:1 safety factor.

NSF/ANSI 61 IAPMO R&T  
This product is listed by IAPMO R&T under file #N-7208 for NSF/ANSI 61 and file 7207 for California Lead Plumbing Law and NSF/ANSI-372. Our listed products can be viewed on IAPMO R&T's Web listing at <http://pld.iapmo.org>

CSA standard B-51 certified. Inspected and tested by the Technical Standards and Safety Authority of Canada.



APPROVED  
For Fire Protection Systems

PROJECT	
CUSTOMER	
ENGINEER	
REPRESENTATIVE	
DRAWING #	



4560 Buckley Road • Liverpool, NY USA 13088-2509  
315/437-1611 • Fax 315/437-1903  
[www.flexhose.com](http://www.flexhose.com) • 1.877.TRI FLEX