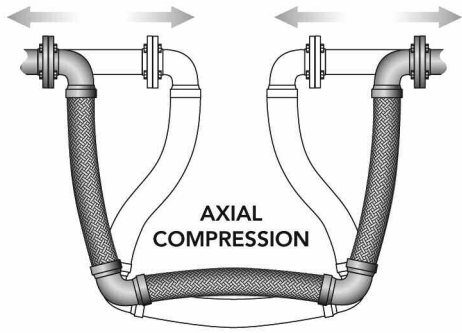
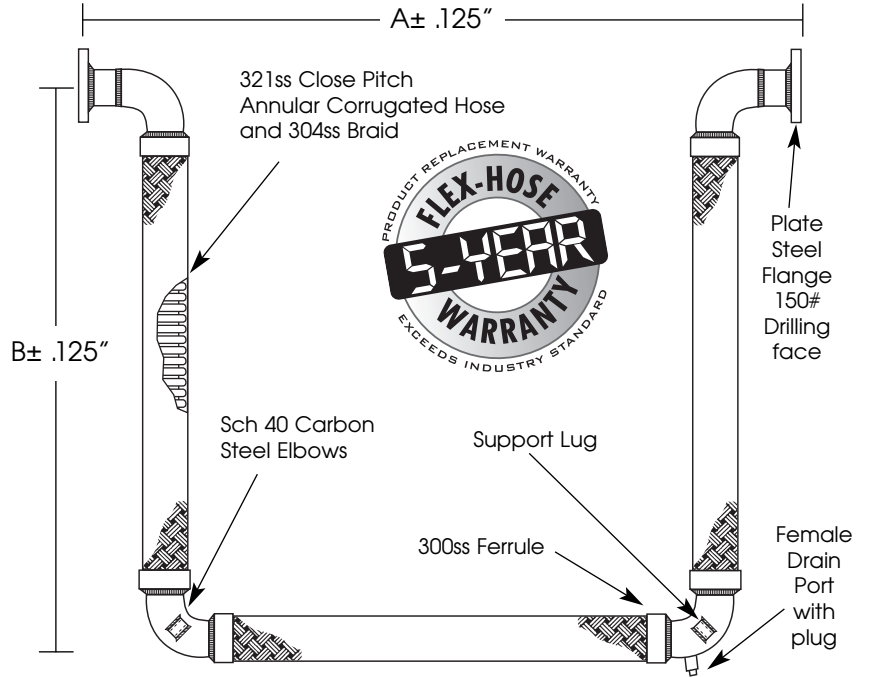
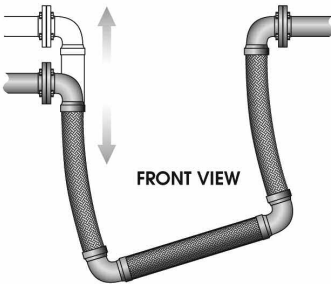
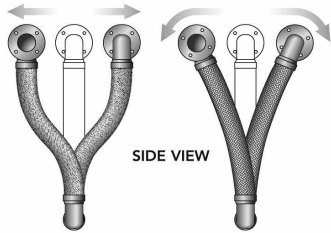


Tri-Flex Loop® Expansion Loops & Seismic Connectors

Movement Capabilities



FRONT VIEW



Qty	I.D. (in.)	Dimensions		Pressure (PSI)		Movement Capability					Drain Port (in.)	Wt. (lb.)	Notes
		"A" (in.)	"B" (in.)	@70° F	@200° F	Compression (in.)	Extension (in.)	Parallel (in.)	Rotation "X" Axis (Deg.)	Non-Parallel "Y" Axis (in.)			
	2.00	31.50	22.25	500	470	2.0	2.0	2.0	10°	1.0	½"	22	
	2.50	35.50	25.00	400	376	2.0	2.0	2.0	10°	1.0	¾"	37	
	3.00	39.75	28.00	285	267	2.0	2.0	2.0	10°	1.0	¾"	48	
	4.00	43.25	33.00	250	235	2.0	2.0	2.0	5°	1.0	¾"	79	
	5.00	54.00	41.25	200	188	2.0	2.0	2.0	5°	1.0	¾"	125	
	6.00	60.25	45.00	220	206	2.0	2.0	2.0	3°	1.0	¾"	177	
	8.00	73.50	53.25	200	188	2.0	2.0	2.0	ON APPLICATION	1.0	¾"	320	
	10.00	88.50	63.38	200	188	2.0	2.0	2.0	ON APPLICATION	1.0	¾"	537	
	12.00	102.50	72.38	160	150	2.0	2.0	2.0	ON APPLICATION	1.0	¾"	780	

Working pressures shown for the hose and braid are based on an operating temperature of 70°F (21°C) with a 4:1 safety factor.

NSF/ANSI 61
IAPMO R&T
This product is listed by IAPMO R&T under file #N-7208 for NSF/ANSI 61 and file 7207 for California Lead Plumbing Law and NSF/ANSI-372. Our listed products can be viewed on IAPMO R&T's Web listing at <http://pld.iapmo.org>



CSA standard B-51 certified. Inspected and tested by the Technical Standards and Safety Authority of Canada.



APPROVED

For Fire Protection Systems



4560 Buckley Road • Liverpool, NY USA 13088-2509

315/437-1611 • Fax 315/437-1903

www.flexhose.com • 1.877.TRI FLEX

PROJECT	
CUSTOMER	
ENGINEER	
REPRESENTATIVE	
DRAWING #	