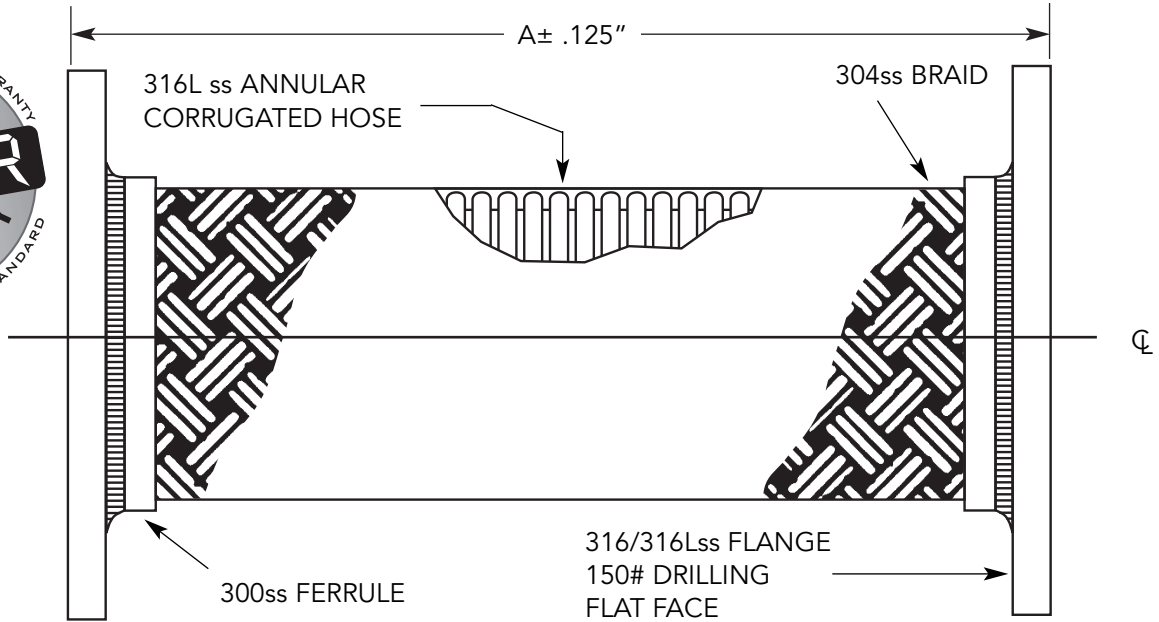


# Pumpsaver® Braided Pump Connectors



FOR TEMP ABOVE 70°F	
TEMP °F	FACTOR 316 S.S.
70	1.00
200	.92
300	.86
400	.82
500	.77
600	.73

\*For safe working pressure above 70°F, multiply pressure shown at 70°F times correction factor of required temp.

Qty.	I.D (in.)	A (in.)	Pressure (PSI) 70° F	Notes
	2.00		500	
	2.50		400	
	3.00		285	
	4.00		250	
	5.00		200	
	6.00		220	
	8.00		200	
	10.00		200	
	12.00		160	
	14.00		140	

\*Working pressures shown for the hose and braid are based on an operating temperature of 70°F (21°C) with a 4:1 safety factor.



CSA standard B-51 certified. Inspected and tested by the Technical Standards and Safety Authority of Canada.



This product is listed by IAPMO R&T under file #N-7208 for NSF/ANSI 61 and file 7207 for California Lead Plumbing Law and NSF/ANSI-372. Our listed products can be viewed on IAPMO R&T's Web listing at <http://pld.iapmo.org>



PROJECT	
CUSTOMER	
ENGINEER	
REPRESENTATIVE	
DRAWING #	



4560 Buckley Road  
 Liverpool, NY USA 13088-2509  
 315/437-1611 • Fax 315/437-1903  
[www.flexhose.com](http://www.flexhose.com) • 1.877.METAL EJ