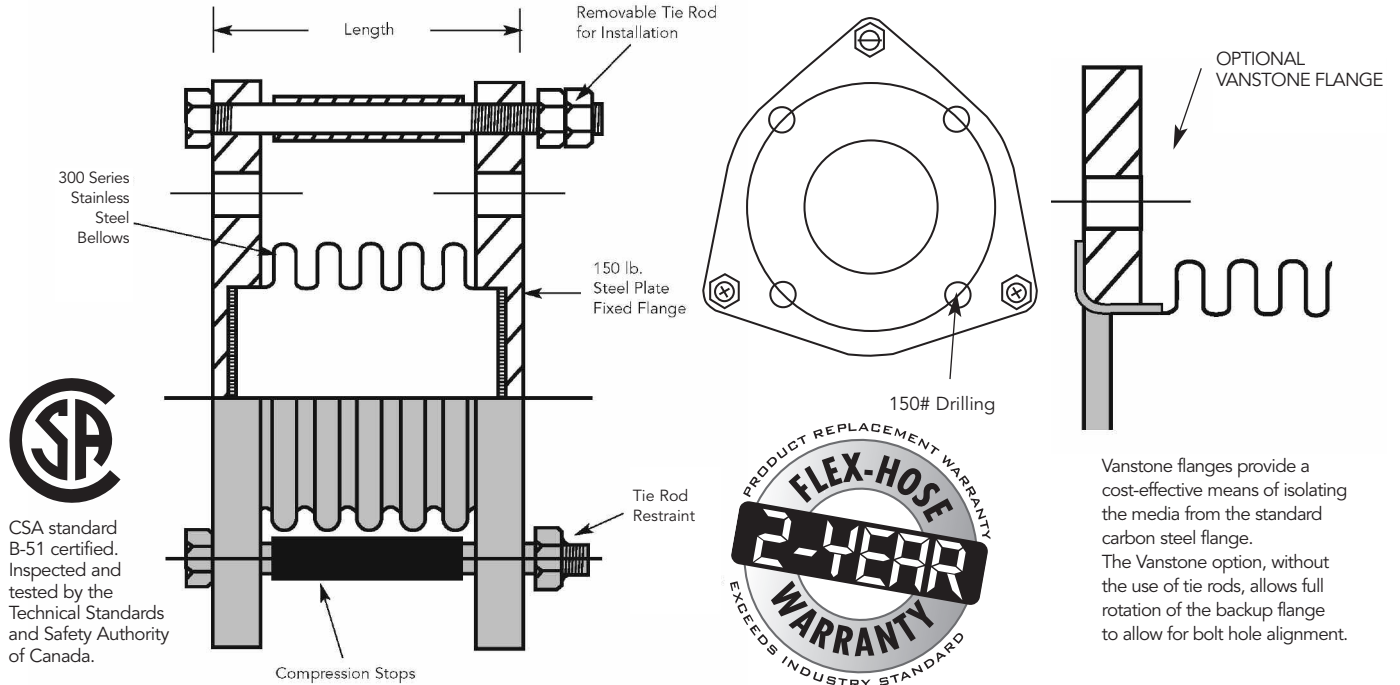


# PUMPFLEX™ BPC-FX Bellows Pump Connectors/Expansion Joints



Vanstone flanges provide a cost-effective means of isolating the media from the standard carbon steel flange. The Vanstone option, without the use of tie rods, allows full rotation of the backup flange to allow for bolt hole alignment.

Optional Flow Liner

All Pumpflex connectors supplied with shipping restraints. Restraints must be removed prior to system test.

Qty	I.D. (In.)	Length (In.)	Pressure (PSI)		Movement Capability (In.)			Weight (Lbs.)	Notes
			70°F	360°F	Compression	Extension	Parallel		
<input type="checkbox"/>	2.00	4.375	225	210	.50	.125	.125	11.00	
<input type="checkbox"/>	2.50	4.375	225	210	.50	.125	.125	15.00	
<input type="checkbox"/>	3.00	4.375	225	210	.50	.125	.125	17.00	
<input type="checkbox"/>	4.00	4.625	225	210	.50	.125	.125	27.00	
<input type="checkbox"/>	5.00	4.875	225	210	.50	.125	.125	33.00	
<input type="checkbox"/>	6.00	5.000	225	210	.50	.125	.125	38.00	
<input type="checkbox"/>	8.00	5.875	225	210	.50	.125	.125	66.00	
<input type="checkbox"/>	10.00	6.250	225	210	.50	.125	.125	87.00	
<input type="checkbox"/>	12.00	6.625	225	210	.50	.125	.125	114.00	

**NOTE:** Custom sizes and higher working pressures available. Please consult factory.

PROJECT	
CUSTOMER	
ENGINEER	
REPRESENTATIVE	
DRAWING #	



4560 Buckley Road  
 Liverpool, NY USA 13088-2509  
 Phone 315/437-1611 • Fax 315/437-1903  
[www.flexhose.com](http://www.flexhose.com) • 1.877.METAL EJ

Rev. 09/23