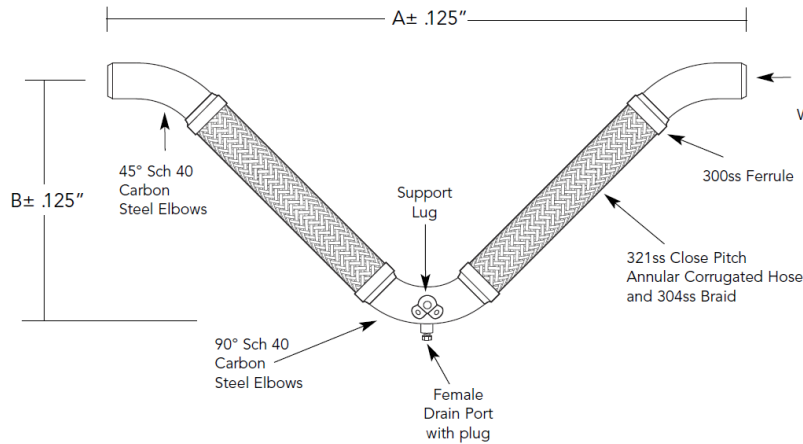


AssureFlex® Two-Leg V Style Seismic and Expansion Loop for Fire Protection



EX28995
(Flexible Joint Fitting)



CSA standard B-51 certified.
Inspected and tested by the
Technical Standards and
Safety Authority of Canada.

QTY.	I.D. (in.)	Length (in.)		Pressure (PSI) @70° F	Drain Port (in.)	Weight (lb.)	Comments
		A (in.)	B (in.)				
	4.00	62.63	25.50	300	¾	52.0	
	5.00	75.00	31.00	300	¾	100.0	
	6.00	87.50	36.25	300	¾	151.0	

MOVEMENT CAPABILITY: +/- 4" Seismic, +/- 6" Thermal

PROJECT	
CUSTOMER	
ENGINEER	
REPRESENTATIVE	
DRAWING #	



4560 Buckley Road
Liverpool, NY USA 13088-2509
315/437-1611 • Fax 315/437-1903
www.flexhose.com • 1.877.TRI FLEX