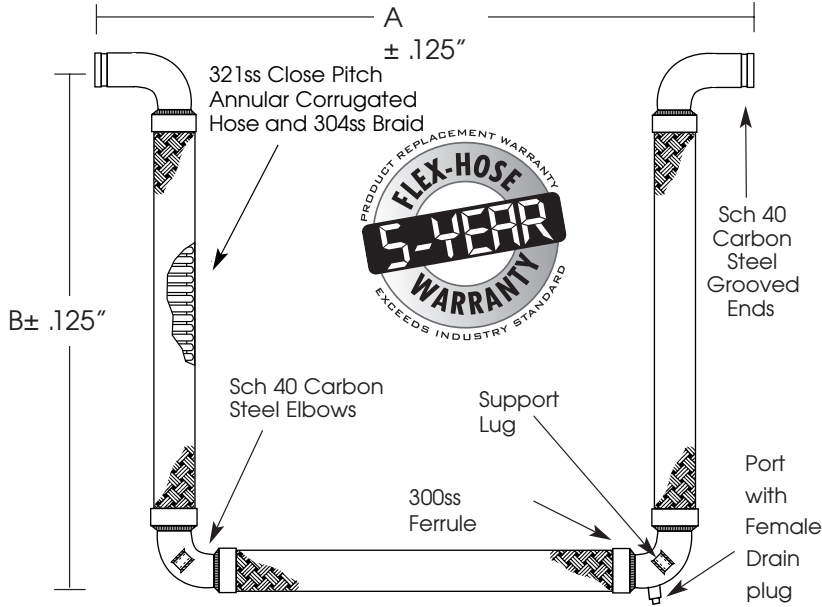


AssureFlex® Tri-Flex Loop® Expansion Loops & Seismic Connectors for Fire Protection



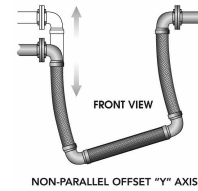
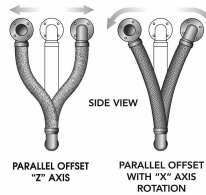
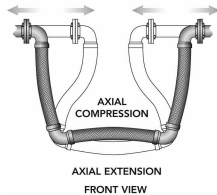
UL US
LISTED
 EX28995
 (Flexible Joint Fitting)

CSA
 CSA standard B-51 certified.
 Inspected and tested by the
 Technical Standards and
 Safety Authority of Canada.

Qty	Dimensions			Pressure (PSI) @ 70° F	Movement Capability					Drain Port (in.)	Wt. (lb.)	Notes
	I.D. (in.)	"A" (in.)	"B" (in.)		Compression (in.)	Extension (in.)	Parallel (in.)	Rotate "X" Axis (Deg.)	Non-parallel "Y" Axis (in.)			
	2.00	37.00	37.00	300	8.0	8.0	8.0	20°	2.0	½"	20	
	2.50	41.00	39.75	300	8.0	8.0	8.0	20°	2.0	¾"	33	
	3.00	45.25	43.25	300	8.0	8.0	8.0	15°	2.0	¾"	44	
	4.00	55.75	50.50	175	8.0	8.0	8.0	10°	2.0	¾"	75	
	5.00	71.25	64.00	175	8.0	8.0	8.0	10°	2.0	¾"	126	
	6.00	77.00	67.50	175	8.0	8.0	8.0	5°	2.0	¾"	179	
	8.00	92.00	77.00	175	8.0	8.0	8.0	5°	2.0	¾"	354	
	10.00	110.00	90.00	175	8.0	8.0	8.0	5°	2.0	¾"	616	
	12.00	125.00	101.00	175	8.0	8.0	8.0	3°	2.0	¾"	924	

Working pressures shown for the hose and braid are based on an operating temperature of 70°F (21°C) with a 4:1 safety factor.
 8" - 12" provided double braid

Movement Capability



PROJECT	
CUSTOMER	
ENGINEER	
REPRESENTATIVE	
DRAWING #	



4560 Buckley Road • Liverpool, NY USA 13088-2509
 315/437-1611 • Fax 315/437-1903
www.flexhose.com • 1.877.TRI FLEX