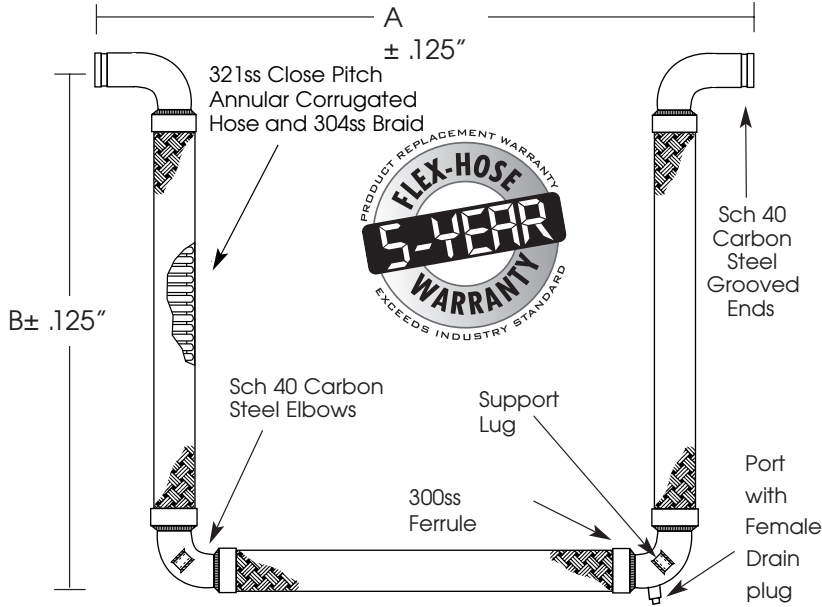


# AssureFlex® Tri-Flex Loop® Expansion Loops & Seismic Connectors for Fire Protection



EX28995  
(Flexible Joint Fitting)

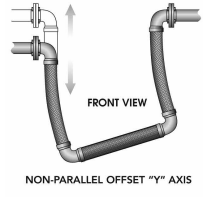
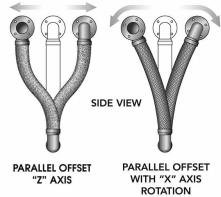
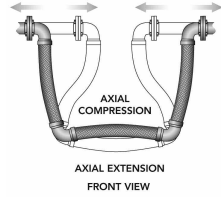


CSA standard B-51 certified.  
Inspected and tested by the  
Technical Standards and  
Safety Authority of Canada.

| Qty | I.D. (in.) | Dimensions |           | Pressure (PSI) @70° F | Movement Capability |                 |                |                        |                             | Drain Port (in.) | Wt. (lb.) | Notes |
|-----|------------|------------|-----------|-----------------------|---------------------|-----------------|----------------|------------------------|-----------------------------|------------------|-----------|-------|
|     |            | "A" (in.)  | "B" (in.) |                       | Compression (in.)   | Extension (in.) | Parallel (in.) | Rotate "X" Axis (Deg.) | Non-parallel "Y" Axis (in.) |                  |           |       |
|     | 1.00       | 25.75      | 20.50     | 300                   | 4.0                 | 4.0             | 4.0            | 30°                    | 2.0                         | 1/2"             | 7         |       |
|     | 1.50       | 32.00      | 24.50     | 300                   | 4.0                 | 4.0             | 4.0            | 25°                    | 2.0                         | 1/2"             | 13        |       |
|     | 2.00       | 37.00      | 28.25     | 300                   | 4.0                 | 4.0             | 4.0            | 20°                    | 2.0                         | 1/2"             | 18        |       |
|     | 2.50       | 41.00      | 31.00     | 300                   | 4.0                 | 4.0             | 4.0            | 20°                    | 2.0                         | 3/4"             | 30        |       |
|     | 3.00       | 45.25      | 34.00     | 300                   | 4.0                 | 4.0             | 4.0            | 15°                    | 2.0                         | 3/4"             | 40        |       |
|     | 4.00       | 55.75      | 40.00     | 175                   | 4.0                 | 4.0             | 4.0            | 10°                    | 2.0                         | 3/4"             | 70        |       |
|     | 5.00       | 71.25      | 51.00     | 175                   | 4.0                 | 4.0             | 4.0            | 10°                    | 2.0                         | 3/4"             | 117       |       |
|     | 6.00       | 77.00      | 54.25     | 175                   | 4.0                 | 4.0             | 4.0            | 5°                     | 2.0                         | 3/4"             | 166       |       |
|     | 8.00       | 92.00      | 63.25     | 175                   | 4.0                 | 4.0             | 4.0            | 5°                     | 2.0                         | 3/4"             | 330       |       |
|     | 10.00      | 110.00     | 74.38     | 175                   | 4.0                 | 4.0             | 4.0            | 5°                     | 2.0                         | 3/4"             | 571       |       |
|     | 12.00      | 125.00     | 84.38     | 175                   | 4.0                 | 4.0             | 4.0            | 3°                     | 2.0                         | 3/4"             | 856       |       |

Working pressures shown for the hose and braid are based on an operating temperature of 70°F (21°C) with a 4:1 safety factor.  
8" - 12" provided double braid

## Movement Capability



|                |  |
|----------------|--|
| PROJECT        |  |
| CUSTOMER       |  |
| ENGINEER       |  |
| REPRESENTATIVE |  |
| DRAWING #      |  |



4560 Buckley Road • Liverpool, NY USA 13088-2509  
315/437-1611 • Fax 315/437-1903  
www.flexhose.com • 1.877.TRI FLEX

Rev. 10/23