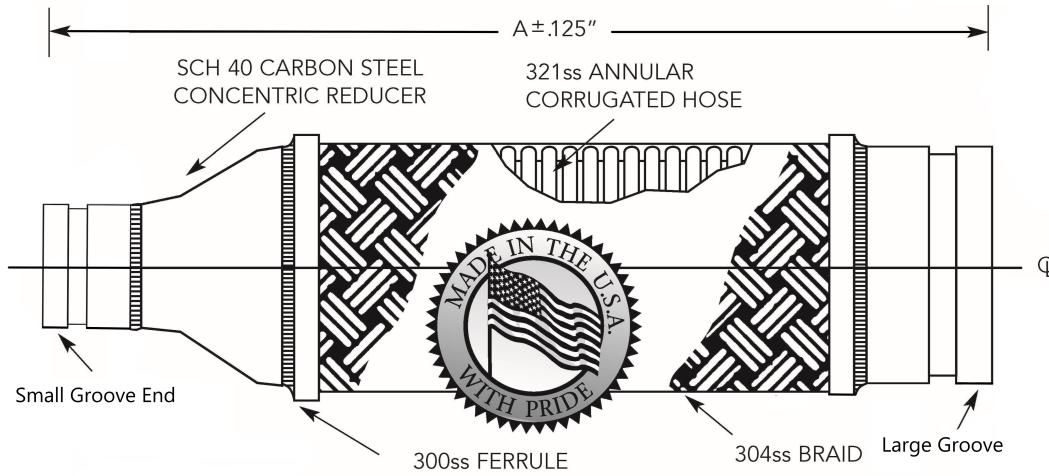


AssureFlex® Braided Pump Connectors for Fire Protection



FOR TEMP ABOVE 70°F		QTY	Small Groove (in.)	Large Groove & Hose (in.)	A (in.)	Pressure (PSI) @70° F	Lateral Offset (in.)		Weight (lb.)	Notes
TEMP °F	FACTOR S.S.						Lateral (in.)	Intermittent (in.)		
70	1.00	1.25	1.25	1.50	14.25	300	1	3/4	3.7	
		1.25	1.25	2.00	14.75	300	1-1/8	3/8	4.3	
		1.50	1.50	2.00	14.75	300	1-1/8	3/8	4.5	
		2.00	2.00	2.50	15.25	300	1	3/8	6	
200	.94	2.00	2.00	3.00	15.25	300	5/8	1/4	7	
		2.50	2.50	3.00	15.25	300	5/8	1/4	7.5	
		2.50	2.50	4.00	16.75	175	1/2	1/4	11	
300	.88	3.00	3.00	4.00	16.75	175	1/2	1/4	12	
		3.00	3.00	5.00	19.50	175	3/4	3/8	16	
400	.83	4.00	4.00	5.00	20.50	175	3/4	3/8	18	
		4.00	4.00	6.00	21.00	175	5/8	1/4	25	
500	.78	5.00	5.00	6.00	21.00	175	5/8	1/4	27	
		5.00	5.00	8.00	22.00	175	1/2	1/4	45	
600	.74	6.00	6.00	8.00	22.00	175	1/2	1/4	47	
		8.00	8.00	10.00	25.00	175	1/2	1/4	75	
		10.00	10.00	12.00	28.00	175	1/2	1/4	102	

*For safe working pressure above 70°F, multiply pressure shown at 70°F times correction factor of required temp.

8" - 12" ID hose & braid provided double braided.

*Working pressures shown for the hose and braid are based on an operating temperature of 70°F (21°C) with a 4:1 safety factor.



CSA standard B-51 certified. Inspected and tested by the Technical Standards and Safety Authority of Canada.



(Flexible Joint Fitting)

PROJECT	
CUSTOMER	
ENGINEER	
REPRESENTATIVE	
DRAWING #	



4560 Buckley Road
 Liverpool, NY USA 13088-2509
 315/437-1611 • Fax 315/437-1903
 www.flexhose.com • 1.877.METAL EJ