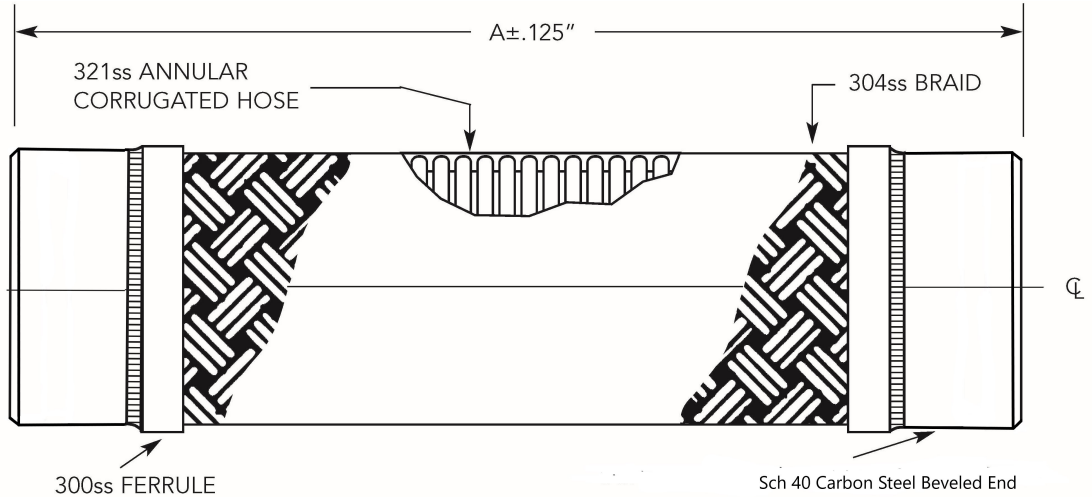


AssureFlex® Braided Pump Connectors for Fire Protection



FOR TEMP ABOVE 70°F	
TEMP °F	FACTOR S.S.
70	1.00
200	.94
300	.88
400	.83
500	.78
600	.74

QTY	I.D. (in.)	A (in.)	Pressure (PSI) @70° F	Parrallel Offset Intermittent (in.)	Weight (lb.)	Notes
	1.00	14.00	300	3/4	1.2	
	1.25	15.00	300	3/4	1.6	
	1.50	16.00	300	3/4	2	
	2.00	17.00	300	3/4	3	
	2.50	18.00	300	3/4	5	
	3.00	19.00	300	3/4	6	
	4.00	20.00	175	3/4	10	
	5.00	21.00	175	3/4	14	
	6.00	22.00	175	3/4	19	
	8.00	25.00	175	3/4	36	
	10.00	27.00	175	3/4	56	
	12.00	29.00	175	3/4	78	

*For safe working pressure above 70°F, multiply pressure shown at 70°F times correction factor of required temp.

8"-12" ID sizes provided with two braids.

*Working pressures shown for the hose and braid are based on an operating temperature of 70°F (21°C) with a 4:1 safety factor.



CSA standard B-51 certified. Inspected and tested by the Technical Standards and Safety Authority of Canada.



PROJECT	
CUSTOMER	
ENGINEER	
REPRESENTATIVE	
DRAWING #	



4560 Buckley Road
 Liverpool, NY USA 13088-2509
 315/437-1611 • Fax 315/437-1903
 www.flexhose.com • 1.877.METAL EJ

