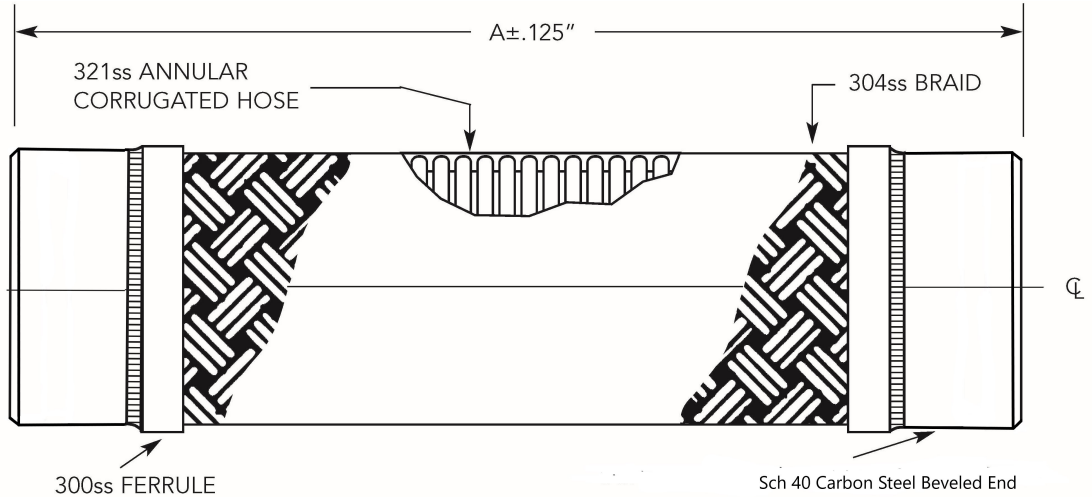


# AssureFlex® Braided Pump Connectors for Fire Protection



FOR TEMP ABOVE 70°F	
TEMP °F	FACTOR S.S.
70	1.00
200	.94
300	.88
400	.83
500	.78
600	.74

QTY	I.D. (in.)	A (in.)	Pressure (PSI) @70° F	Parallel Offset Intermittent (in.)	Weight (lb.)	Notes
	1.00	10.00	300	1/8	1	
	1.25	10.00	300	1/8	1.3	
	1.50	11.00	300	1/8	1.5	
	2.00	12.00	300	1/8	2.3	
	2.50	14.00	300	1/8	4	
	3.00	14.00	300	1/8	5	
	4.00	16.00	175	1/8	9	
	5.00	17.00	175	1/8	12	
	6.00	18.00	175	1/8	17	
	8.00	20.00	175	1/8	30	
	10.00	24.00	175	1/8	52	
	12.00	26.00	175	1/8	72	

\*For safe working pressure above 70°F, multiply pressure shown at 70°F times correction factor of required temp.

\*Working pressures shown for the hose and braid are based on an operating temperature of 70°F (21°C) with a 4:1 safety factor. 8"-12" ID sizes provided with two braids.



CSA standard B-51 certified. Inspected and tested by the Technical Standards and Safety Authority of Canada.



EX28995  
(Flexible Joint Fitting)

PROJECT	
CUSTOMER	
ENGINEER	
REPRESENTATIVE	
DRAWING #	



4560 Buckley Road  
Liverpool, NY USA 13088-2509  
315/437-1611 • Fax 315/437-1903  
www.flexhose.com • 1.877.METAL EJ

