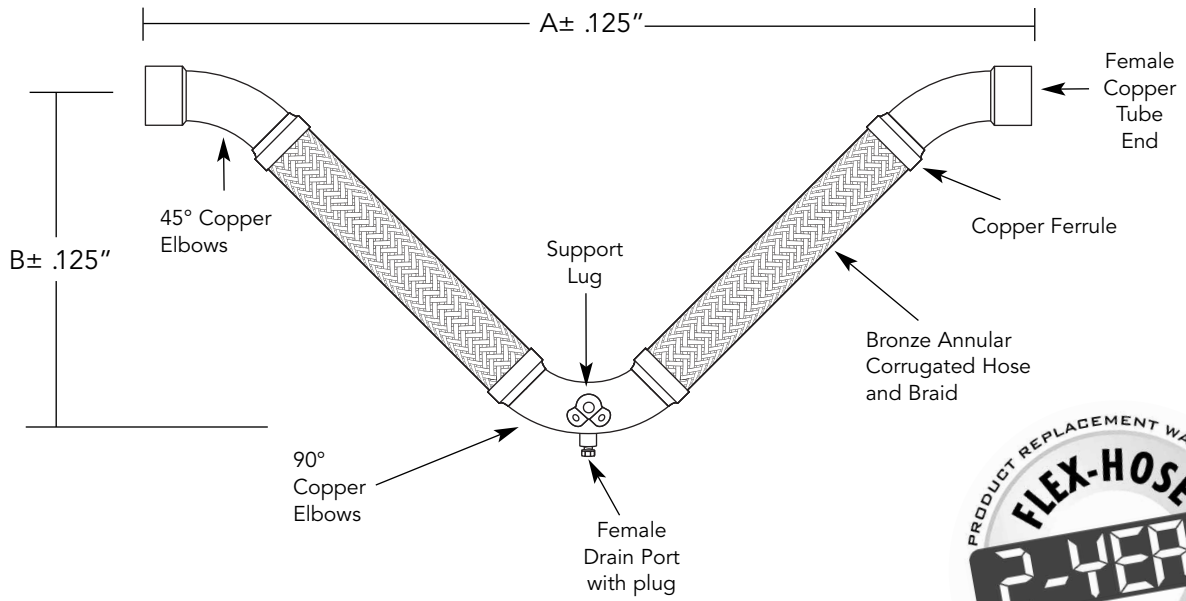



# Two-Leg V-Style Expansion Loops



 This product is listed by IAPMO R&T under file #N-7208 for NSF/ANSI 61 and file 7207 for California Lead Plumbing Law and NSF/ANSI-372. Our listed products can be viewed on IAPMO R&T's Web listing at <http://pld.iapmo.org>. This copper product has been evaluated for use in drinking water systems pH 6.5 and above. Drinking water supplies that are less than pH 6.5 may require corrosion control to limit leaching of copper into the drinking water.



QTY.	PIPE SIZE (IN.)	LENGTH (IN.)		PRESSURE (PSI)		DRAIN PORT (IN.)	WT. (LBS.)	COMMENTS
		A	B	70°F	200°F			
	½	26.38	12.63	565	502	¼	2.5	
	¾	29.63	14.00	465	413	¼	3.5	
	1	32.75	15.38	335	298	½	4.0	
	1.25	34.38	16.00	300	276	½	5.0	
	1.5	38.50	18.00	295	262	½	7.0	
	2	42.13	19.38	210	186	½	9.0	
	2.5	47.00	21.75	195	173	¾	15.0	
	3	50.75	23.38	165	146	¾	21.0	
	4	59.50	27.00	145	129	¾	32.0	

**MOVEMENT CAPABILITY: +/- 4" SEISMIC; +/- 6" THERMAL**

PROJECT	
CUSTOMER	
ENGINEER	
REPRESENTATIVE	
DRAWING #	



4560 Buckley Road  
 Liverpool, NY USA 13088-2509  
 315/437-1611 • Fax 315/437-1903  
[www.flexhose.com](http://www.flexhose.com) • 1.877.TRI FLEX

Rev. B 06/22

**Expansion Loops**

**FTLVS ½"-4" I.D.**