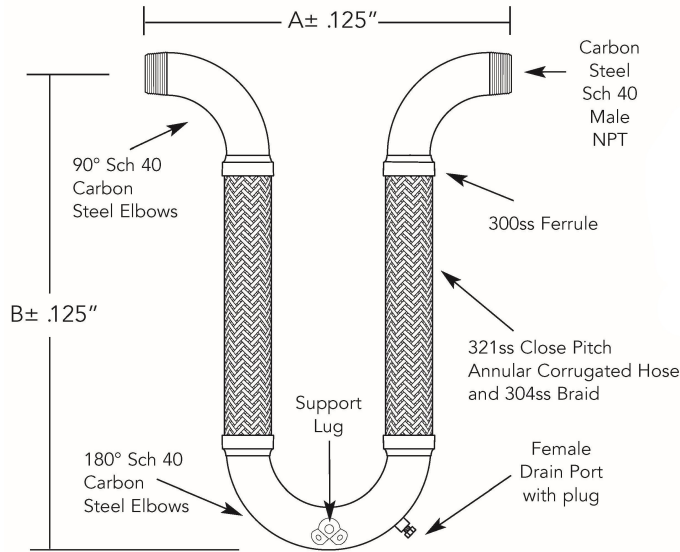


# AssureFlex® Two-Leg U Style Seismic and Expansion Loop for Fire Protection



CSA standard B-51 certified.  
Inspected and tested by the  
Technical Standards and  
Safety Authority of Canada.

QTY.	I.D. (in.)	Length (in.)		Pressure	Drain Port (in.)	Weight (lb.)	Comments
		A (in.)	B (in.)	(PSI) @70° F			
	1.00	18.00	23.00	300	½	6.5	
	1.25	19.00	25.00	300	½	8.5	
	1.50	21.00	27.00	300	½	10.5	
	2.00	23.00	30.00	300	½	17.0	
	2.50	25.00	34.00	300	¾	27.0	
	3.00	27.00	37.00	300	¾	39.0	
	4.00	31.50	43.00	175	¾	63.0	

MOVEMENT CAPABILITY: +/- 8"

PROJECT	
CUSTOMER	
ENGINEER	
REPRESENTATIVE	
DRAWING #	



4560 Buckley Road  
Liverpool, NY USA 13088-2509  
315/437-1611 • Fax 315/437-1903  
[www.flexhose.com](http://www.flexhose.com) • 1.877.TRI FLEX