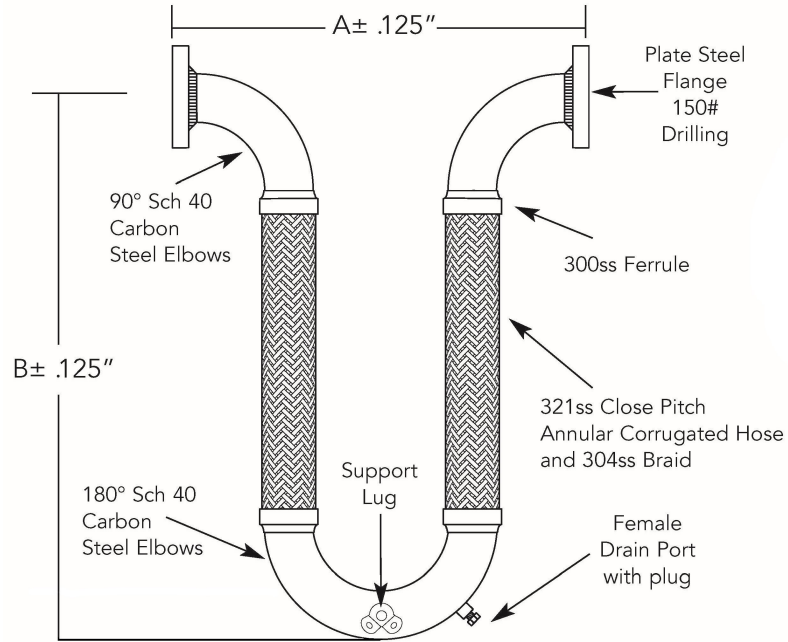


Two-Leg U-Style Expansion Loops





This product is listed by IAPMO R&T under file #N-7208 for NSF/ANSI 61 and file 7207 for California Lead Plumbing Law and NSF/ANSI-372. Our listed products can be viewed on IAPMO R&T's Web listing at <http://pld.iapmo.org>

QTY.	PIPE SIZE (IN.)	LENGTH (IN.)		PRESSURE (PSI)		DRAIN PORT (IN.)	WT. (LBS.)	COMMENTS
		A	B	70°F	200°F			
	2	14.50	24.50	500	470	½	24.0	
	2.5	16.00	28.25	400	376	¾	36.0	
	3	18.50	30.00	285	267	¾	50.0	
	4	24.50	35.38	250	235	¾	69.0	
	5	30.50	40.25	200	188	¾	101.0	
	6	36.50	45.38	220	206	¾	163.0	
	8	48.50	53.50	215	202	¾	309.0	
	10	60.50	63.25	200	188	¾	484.0	
	12	72.50	72.75	160	150	¾	666.0	

MOVEMENT CAPABILITY: +/- 4"

PROJECT	
CUSTOMER	
ENGINEER	
REPRESENTATIVE	
DRAWING #	



4560 Buckley Road
 Liverpool, NY USA 13088-2509
 315/437-1611 • Fax 315/437-1903
www.flexhose.com • 1.877.TRI FLEX