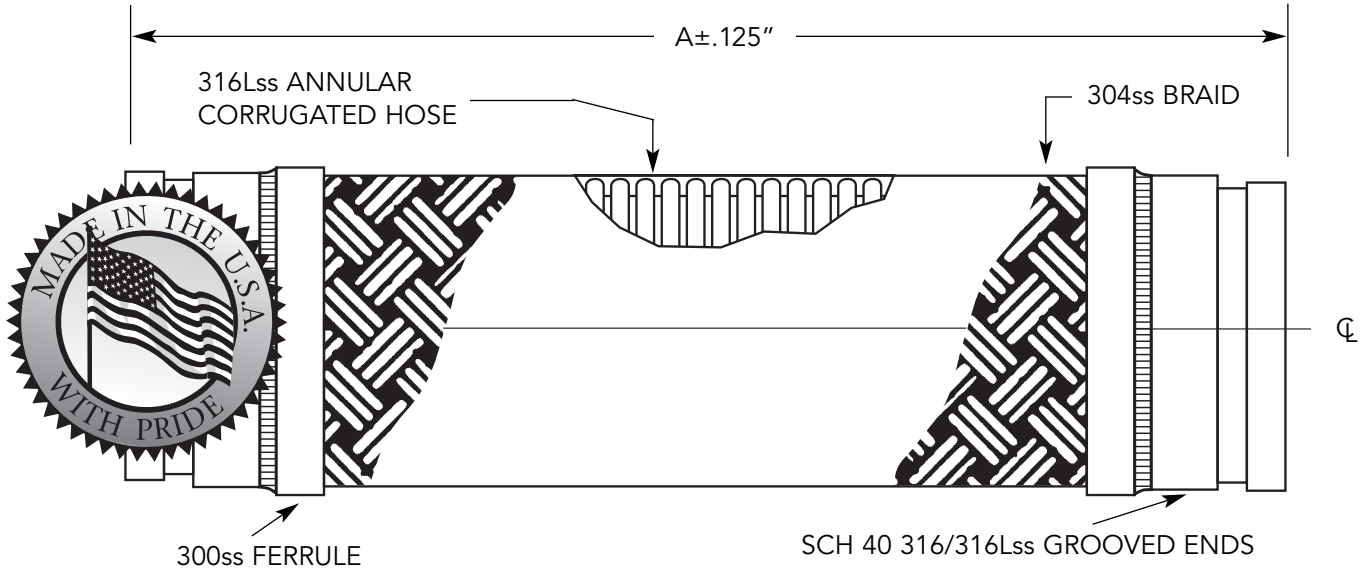


Pumpsaver® Braided Pump Connectors



FOR TEMP ABOVE 70°F	
TEMP °F	FACTOR 316 S.S.
70	1.00
200	.92
300	.86
400	.82
500	.77
600	.73

I.D. (In.)	Length (In.)	Pressure (PSI) 70°F	Parallel Offset (In.)		Weight (lb)	Notes
			Permanent	Intermittent		
2.00	12.00	500	1¼	¾	3.90	
2.50	12.00	400	1¼	¾	4.50	
3.00	12.00	285	¾	¼	6.10	
4.00	14.00	250	½	¼	9.30	
5.00	16.00	200	⅞	¾	11.80	
6.00	16.00	220	⅝	¼	16.80	
8.00	16.00	215	½	¼	23.50	
10.00	20.00	200	⅝	¼	44.10	
12.00	20.00	160	½	¼	51.50	

*Working pressures shown for the hose and braid are based on an operating temperature of 70°F (21°C) with a 4:1 safety factor.

*For safe working pressure above 70°F, multiply pressure shown at 70°F times correction factor of required temp.



This product is listed by IAPMO R&T under file #N-7208 for NSF/ANSI 61 and file 7207 for California Lead Plumbing Law and NSF/ANSI-372. Our listed products can be viewed on IAPMO R&T's Web listing at <http://pld.iapmo.org>



CSA standard B-51 certified. Inspected and tested by the Technical Standards and Safety Authority of Canada.

PROJECT	
CUSTOMER	
ENGINEER	
REPRESENTATIVE	
DRAWING #	



6801 Crossbow Drive
 East Syracuse, NY USA 13057-1026
 315/437-1611 • Fax 315/437-1903
www.flexhose.com • 1.877.TRI FLEX