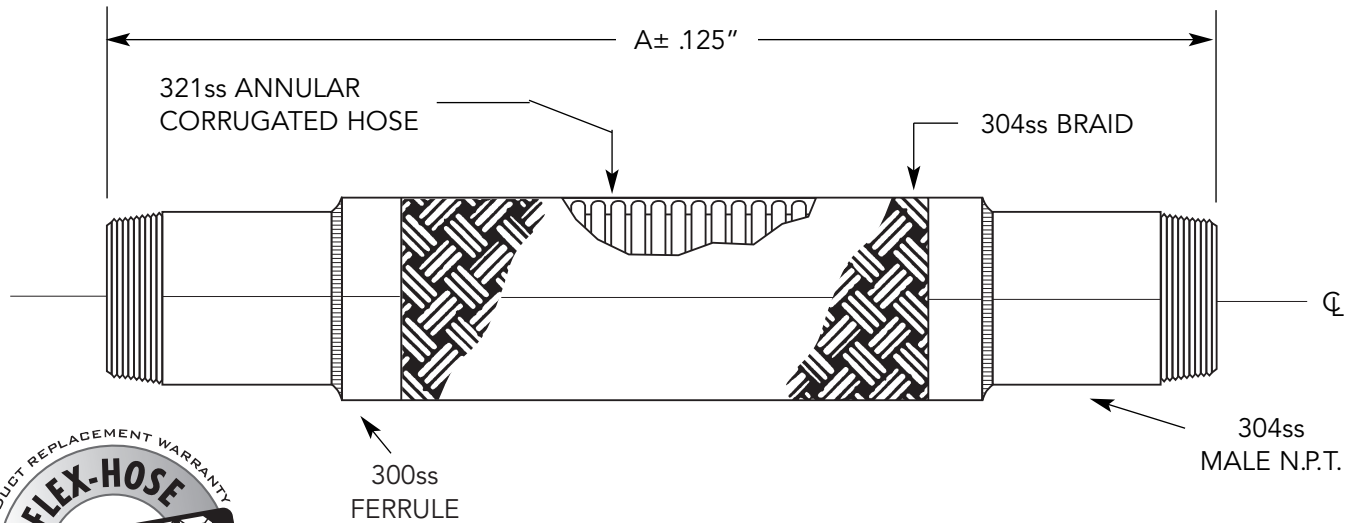


Pumpsaver® Braided Pump Connectors



FOR TEMP ABOVE 70°F	
TEMP °F	FACTOR S.S.
70	1.00
200	.94
300	.88
400	.83
500	.78
600	.74

*For safe working pressure above 70°F, multiply pressure shown at 70°F times correction factor of required temp.

Qty	I.D. (In.)	A (In.)	Pressure (PSI) 70°F	Parallel Offset (In.)		Weight (lb)	NOTES
				Permanent	Intermittent		
	.50	6.50	1100	½	⅓	.50	
	.75	7.00	800	½	⅓	.75	
	1.00	8.00	750	¾	⅓	1.00	
	1.25	8.50	725	¾	⅓	1.25	
	1.50	9.00	565	½	⅓	1.50	
	2.00	10.50	500	¾	⅓	2.50	
	2.50	12.00	400	¾	¼	4.00	
	3.00	14.00	285	1	½	6.00	
	4.00	16.00	250	1¼	⅝	8.00	

*Working pressures shown for the hose and braid are based on an operating temperature of 70°F (21°C) with a 4:1 safety factor.

END FITTING OPTIONS: SCH'D 40 IPS

SCH'D 80 IPS



CSA standard B-51 certified. Inspected and tested by the Technical Standards and Safety Authority of Canada.



PROJECT	
CUSTOMER	
ENGINEER	
REPRESENTATIVE	
DRAWING #	



6801 Crossbow Drive
 East Syracuse, NY USA 13057-1026
 315/437-1611 • Fax 315/437-1903
 www.flexhose.com • 1.877.TRI FLEX

STAINLESS STEEL PUMP CONNECTORS

SSMN-S ½"-4" I.D.