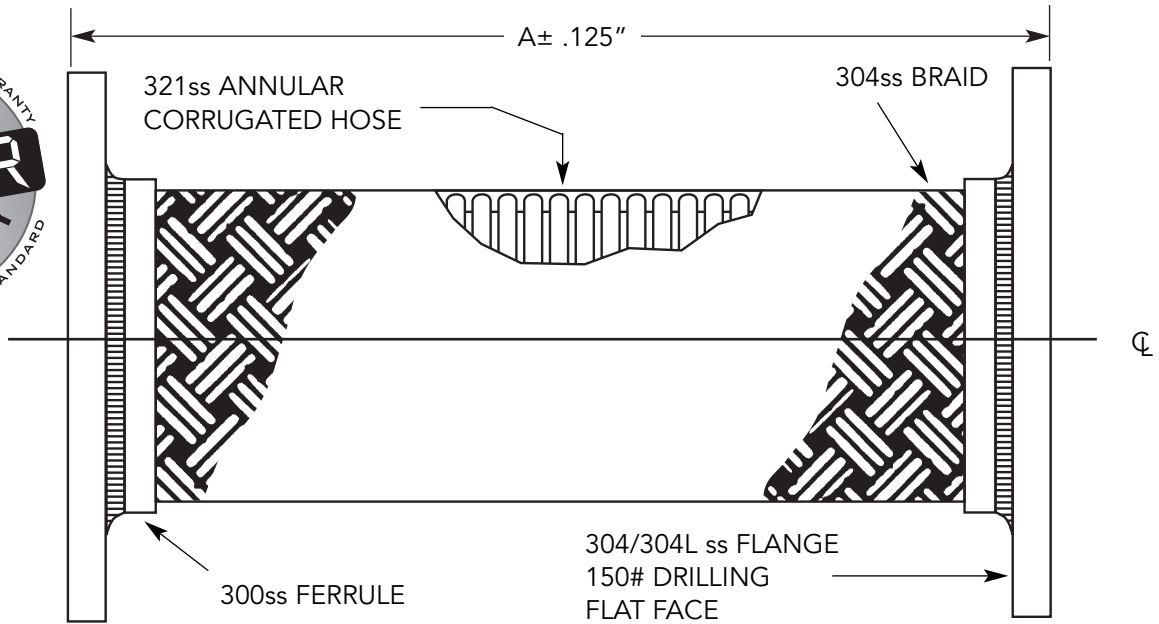


# Pumpsaver® Braided Pump Connectors



| FOR TEMP ABOVE 70°F |             |
|---------------------|-------------|
| TEMP °F             | FACTOR S.S. |
| 70                  | 1.00        |
| 200                 | .94         |
| 300                 | .88         |
| 400                 | .83         |
| 500                 | .78         |
| 600                 | .74         |

\*For safe working pressure above 70°F, multiply pressure shown at 70°F times correction factor of required temp.

| QTY | I.D. (In.) | A (In.) | *Pressure (PSI) @ 70°F | NOTES |
|-----|------------|---------|------------------------|-------|
|     | 2.00       |         | 500                    |       |
|     | 2.50       |         | 400                    |       |
|     | 3.00       |         | 285                    |       |
|     | 4.00       |         | 250                    |       |
|     | 5.00       |         | 200                    |       |
|     | 6.00       |         | 220                    |       |
|     | 8.00       |         | 215                    |       |
|     | 10.00      |         | 200                    |       |
|     | 12.00      |         | 160                    |       |
|     | 14.00      |         | 150                    |       |

\*Working pressures shown for the hose and braid are based on an operating temperature of 70°F (21°C) with a 4:1 safety factor.



CSA standard B-51 certified. Inspected and tested by the Technical Standards and Safety Authority of Canada.



|                |  |
|----------------|--|
| PROJECT        |  |
| CUSTOMER       |  |
| ENGINEER       |  |
| REPRESENTATIVE |  |
| DRAWING #      |  |



6801 Crossbow Drive  
 East Syracuse, NY USA 13057-1026  
 315/437-1611 • Fax 315/437-1903  
[www.flexhose.com](http://www.flexhose.com) • 1.877.TRI FLEX