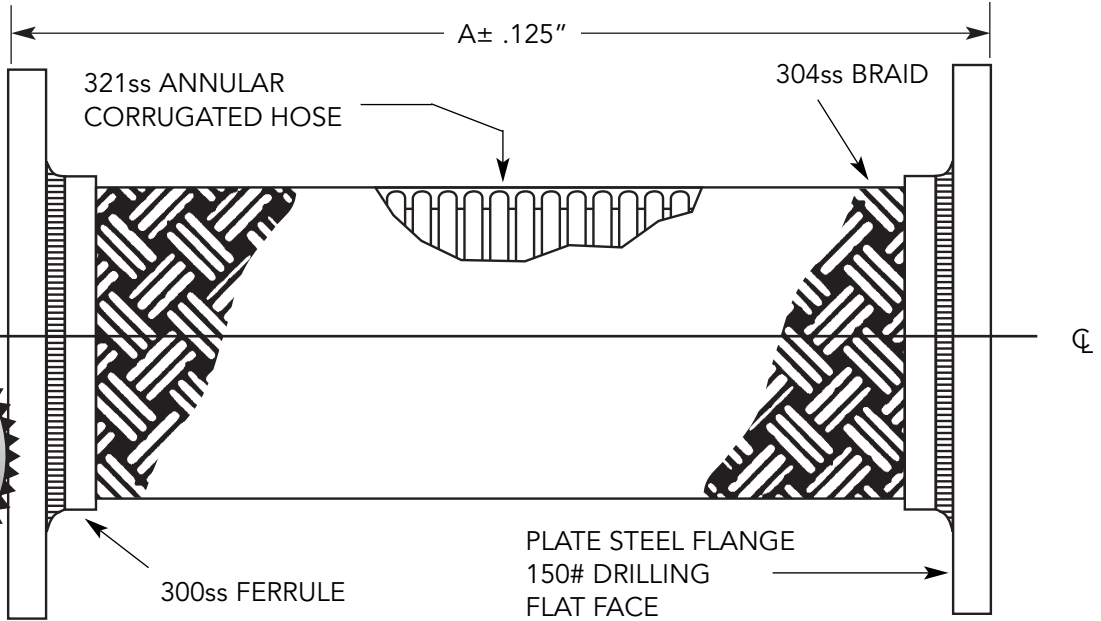


# Pumpsaver® Braided Pump Connectors



FOR TEMP ABOVE 70°F	
TEMP °F	FACTOR S.S.
70	1.00
200	.94
300	.88
400	.83
500	.78
600	.74

Qty	I.D. (In.)	A (In.)	Pressure (PSI) 70°F	Parallel Offset (In.)		Weight (lb)	Notes
				Permanent	Intermittent		
	2.00	9.00	500	1½	¾	10.00	
	2.50	9.00	400	1	¾	12.00	
	3.00	9.00	285	5/8	¼	14.00	
	4.00	9.00	250	½	¼	19.00	
	5.00	11.00	200	¾	¾	25.00	
	6.00	11.00	220	5/8	¼	30.00	
	8.00	12.00	215	½	¼	54.00	
	10.00	13.00	200	½	¼	75.00	
	12.00	14.00	160	½	¼	105.00	
	14.00	14.00	150	¾	½	135.00	
	16.00	14.00	110	¾	½	170.00	

\*For safe working pressure above 70°F, multiply pressure shown at 70°F times correction factor of required temp.

\*Working pressures shown for the hose and braid are based on an operating temperature of 70°F (21°C) with a 4:1 safety factor.



CSA standard B-51 certified. Inspected and tested by the Technical Standards and Safety Authority of Canada.



This product is listed by IAPMO R&T under file #N-7208 for NSF/ANSI 61 and file 7207 for California Lead Plumbing Law and NSF/ANSI-372. Our listed products can be viewed on IAPMO R&T's Web listing at <http://pld.iapmo.org>

PROJECT	
CUSTOMER	
ENGINEER	
REPRESENTATIVE	
DRAWING #	



6801 Crossbow Drive  
 East Syracuse, NY USA 13057-1026  
 315/437-1611 • Fax 315/437-1903  
[www.flexhose.com](http://www.flexhose.com) • 1.877.TRI FLEX