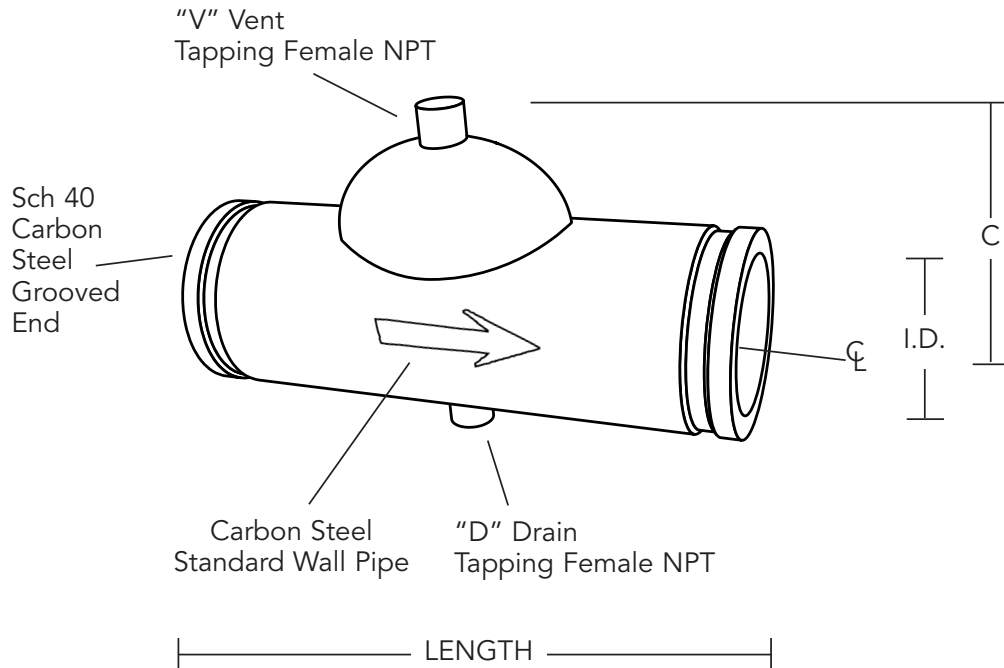


PURGAIR IN-LINE AIR SEPARATOR



QTY.	NOMINAL I.D.		LENGTH		"C"		PRESSURE		"V"	"D"	WEIGHT		NOTES
	IN.	MM	In.	MM	In.	MM	PSI	kPa	NPT	NPT	LBS	KGS	
	3	75	12	305	4.50	114	150	1030	.75	.50	15	7	
	4	100	12	305	5.00	125	150	1030	.75	.50	17	8	
	5	125	20	510	7.50	190	150	1030	1.25	1.50	36	17	
	6	150	24	610	8.50	215	150	1030	1.25	1.50	55	25	
	8	200	32	815	11.25	285	150	1030	1.25	1.50	140	64	
	10	250	40	1015	14.00	355	150	1030	1.25	1.50	188	86	
	12	300	48	1220	16.75	425	150	1030	1.25	1.50	277	126	
	14	350	42	1065	19.38	490	150	1030	1.25	1.50	290	132	
	16	400	48	1220	20.00	500	150	1030	1.25	1.50	370	168	
	18	450	54	1370	23.50	595	150	1030	1.25	1.50	445	202	
	20	500	54	1570	25.00	635	150	1030	1.25	1.50	527	240	
	24	600	60	1525	27.00	685	150	1040	1.25	1.50	770	350	

PURGAIR inline air separator saves valuable space and the internal diverter design is a cost-effective means for separation of air in a hydronic system. The Purgair are fitted with air vent tapping and drain connection tapping. Purgair's rugged construction makes it suitable for pipe line mounting. Standard pressure ratings of 150 psi. We 100% pressure test every PurgAir to assure trouble-free installation and years of quality service.

PROJECT	
CUSTOMER	
ENGINEER	
REPRESENTATIVE	
DRAWING #	



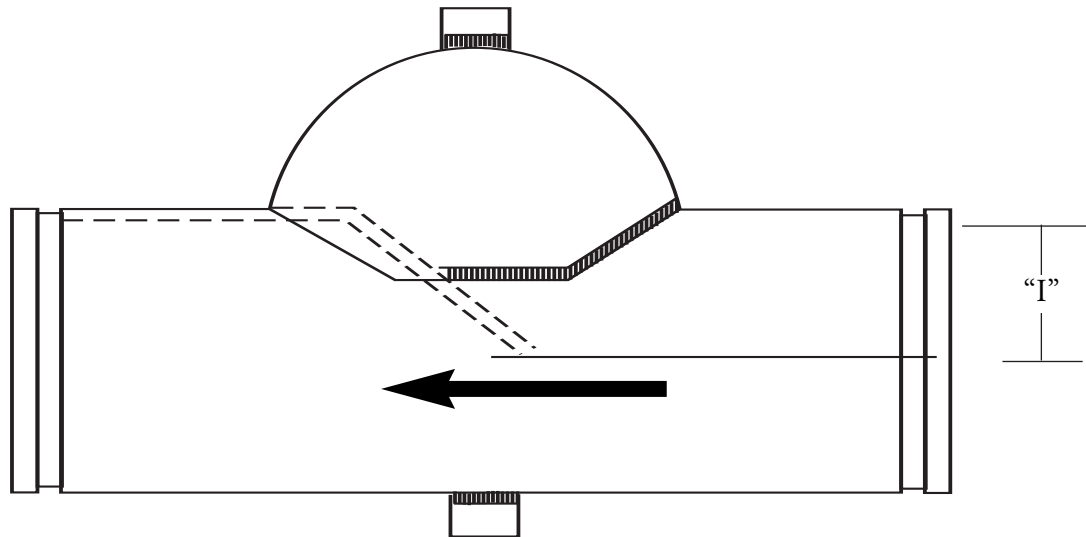
6801 Crossbow Drive
 East Syracuse, NY USA 13057-1026
 315/437-1611 • Fax 315/437-1903
www.flexhose.com • 1.877.TRI FLEX

WS20160119

PURGAIR GROOVED ENDS

PRG 3"-24" I.D.

PURGAIR IN-LINE AIR SEPARATOR



NOMINAL I.D.		INTERNAL DIVERTER	"I" Approx. ½ Pipe Diameter	
IN.	MM		IN.	MM
3	75	3" Long x 1" Wide	1½	45
4	100	3" Long x 1½" Wide	2	50
5	125	6" Long x 2¼" Wide	2½	70
6	150	6" Long x 2½" Wide	3	90
8	200	9" Long x 3¼" Wide	4	100
10	250	15" Long x 4" Wide	5	125
12	300	16" Long x 7" Wide	6	150
14	350	18" Long x 7" Wide	7	175
16	400	19" Long x 8" Wide	8	200
18	450	21" Long x 9" Wide	9	225
20	500	21" Long x 9" Wide	10	250
24	600	24" Long x 12" Wide	12	300

PROJECT	
CUSTOMER	
ENGINEER	
REPRESENTATIVE	
DRAWING #	



6801 Crossbow Drive
 East Syracuse, NY USA 13057-1026
 315/437-1611 • Fax 315/437-1903
www.flexhose.com • 1.877.TRI FLEX

REV. 3/03 WS20160119

PURGAIR GROOVED ENDS

PRG 3"-24" I.D.