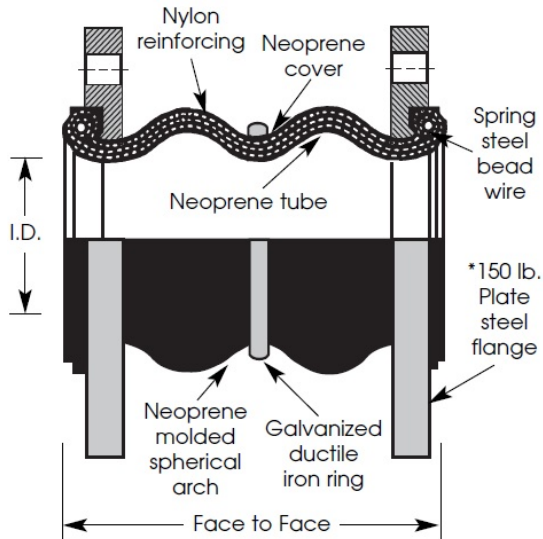


FLEXZORBER® NND Double Sphere Flanged



I.D. (IN)	LENGTH (IN)	PRESSURE (PSI)		VAC RATING (in Hg.)	COMPRESSION (IN)	MOVEMENT CAPABILITY			FLANGE DIMS		(LBS)
		170°F	220°F			EXTENSION (IN)	PARALLEL (IN)	ANGULAR (Deg)	NO. BOLT HOLES	HOLE SIZE	
2.0	7	225	150	26	1	¾	1	30°	4	¾	9
2.5	7	225	150	26	1	¾	1	30°	4	¾	13
3.0	7	225	150	26	1	¾	1	30°	4	¾	15
4.0	9	225	150	26	1¼	1	1¼	30°	8	¾	20
5.0	9	225	150	26	1¼	1	1¼	30°	8	7/8	26
6.0	9	225	150	26	1¼	1	1¼	30°	8	7/8	29
8.0	13	225	150	26	1½	1	1½	30°	8	7/8	45
10.0	13	225	150	26	1½	1	1½	30°	12	1	63
12.0	13	225	150	26	1½	1	1½	30°	12	1	95
14.0	13¾	125	105	26	1½	1⅙	1⅙	20°	12	1½	112

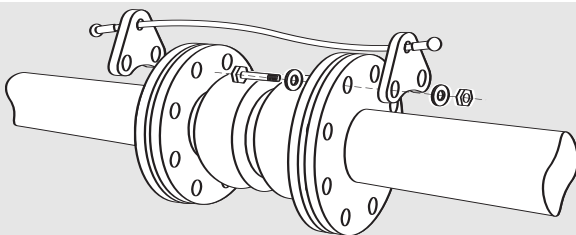
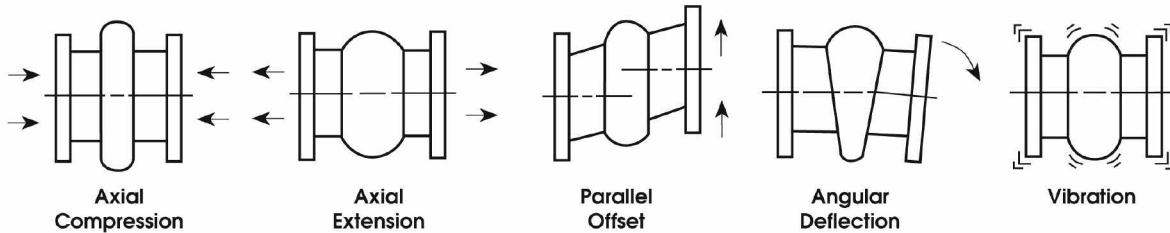
*ANSI Class 150 lb. Steel Floating Flanges



CSA standard B-51 certified. Inspected and tested by the Technical Standards and Safety Authority of Canada.

FLEXZORBER® MOVEMENTS

Flex-Hose Co.'s FLEXZORBER® rubber connectors & expansion joints are capable of handling the following movements:



StopLink™ are available in pipe sizes 2"-12". Conventional control rod assemblies will be supplied, when required, for other sizes.

StopLink™ Control Units for Rubber Connectors & Expansion Joints

Unrestrained, most rubber expansion joints and connectors will extend when pressurized. Therefore, it is recommended the system be anchored. When anchoring is not practical, control units must be used.

StopLink™ Control Units Required: YES NO



PROJECT	
CUSTOMER	
ENGINEER	
REPRESENTATIVE	
DRAWING #	



6801 Crossbow Drive
 East Syracuse, NY USA 13057-1026
 315/437-1611 • Fax 315/437-1903
 www.flexhose.com • 1.877.TRI FLEX

Rev. 201806