

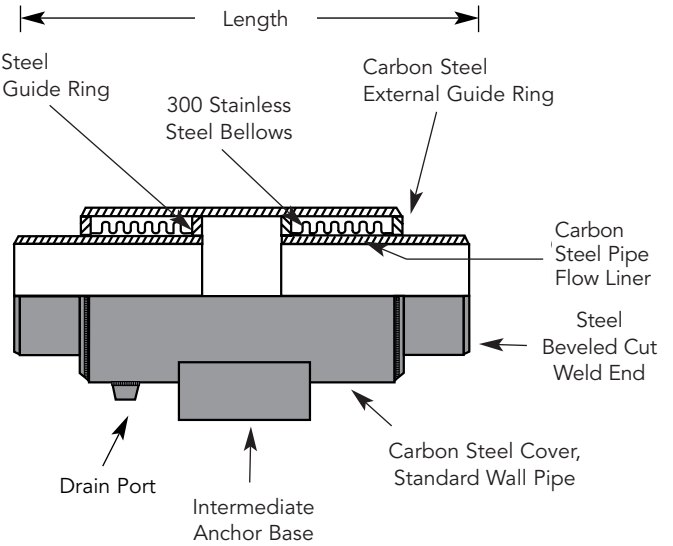
FLEXPRESS™ FP-D/300 Externally Pressurized Guided Expansion Joints



Maximum Temperature 650°F

Design Pressure 300 PSIG • Test Pressure 450 PSIG

Qty	I.D. (In.)	Bellows Area (Sq. In.)	Length (In.)	Movement Capability (In.)		Weight (Lbs.)
				Compression	Extension	
<input type="checkbox"/>	2.00	12	39.50	8.00	1.50	62.00
			57.25	12.00	2.25	89.00
			71.50	16.00	3.00	109.00
<input type="checkbox"/>	2.50	12	39.50	8.00	1.50	67.00
			57.25	12.00	2.25	97.00
			71.50	16.00	3.00	118.00
<input type="checkbox"/>	3.00	16	37.50	8.00	1.50	82.00
			50.25	12.00	2.25	106.00
			67.50	16.00	3.00	146.00
<input type="checkbox"/>	4.00	30	38.75	8.00	1.50	133.00
			52.00	12.00	2.25	171.00
			70.00	16.00	3.00	231.00
<input type="checkbox"/>	5.00	42	36.00	8.00	1.50	174.00
			48.00	12.00	2.25	220.00
			60.50	16.00	3.00	266.00
<input type="checkbox"/>	6.00	53	36.25	8.00	1.50	192.00
			48.25	12.00	2.25	240.00
			60.75	16.00	3.00	290.00
<input type="checkbox"/>	8.00	83	38.25	8.00	1.50	294.00
			51.25	12.00	2.25	376.00
			64.75	16.00	3.00	458.00
<input type="checkbox"/>	10.00	135	40.50	8.00	2.00	378.00
			54.75	12.00	3.00	489.00
			73.25	16.00	4.00	654.00
<input type="checkbox"/>	12.00	182	42.75	8.00	2.00	511.00
			57.75	12.00	3.00	651.00
			77.25	16.00	4.00	855.00
<input type="checkbox"/>	14.00	212	42.75	8.00	2.00	673.00
			57.75	12.00	3.00	863.00
			77.25	16.00	4.00	1141.00
<input type="checkbox"/>	16.00	276	42.75	8.00	2.00	750.00
			57.75	12.00	3.00	964.00
			77.25	16.00	4.00	1274.00
<input type="checkbox"/>	18.00	338	42.75	8.00	2.00	832.00
			57.75	12.00	3.00	1068.00
			77.25	16.00	4.00	1412.00
<input type="checkbox"/>	20.00	404	42.75	8.00	2.00	1016.00
			57.75	12.00	3.00	1274.00
			77.25	16.00	4.00	1652.00
<input type="checkbox"/>	22.00	481	42.75	8.00	2.00	998.00
			57.75	12.00	3.00	1278.00
			77.25	16.00	4.00	1690.00
<input type="checkbox"/>	24.00	562	42.75	8.00	2.00	1078.00
			57.75	12.00	3.00	1382.00
			77.25	16.00	4.00	1826.00



Notes



CSA standard B-51 certified. Inspected and tested by the Technical Standards and Safety Authority of Canada.



6801 Crossbow Drive
 East Syracuse, NY USA 13057-1026
 315/437-1611 • Fax 315/437-1903
www.flexhose.com • 1.877.METAL EJ

PROJECT	
CUSTOMER	
ENGINEER	
REPRESENTATIVE	
DRAWING #	

WS201508

EXTERNALLY PRESSURIZED EXPANSION JOINTS

FP-D/300 WxW 2"-24" I.D.