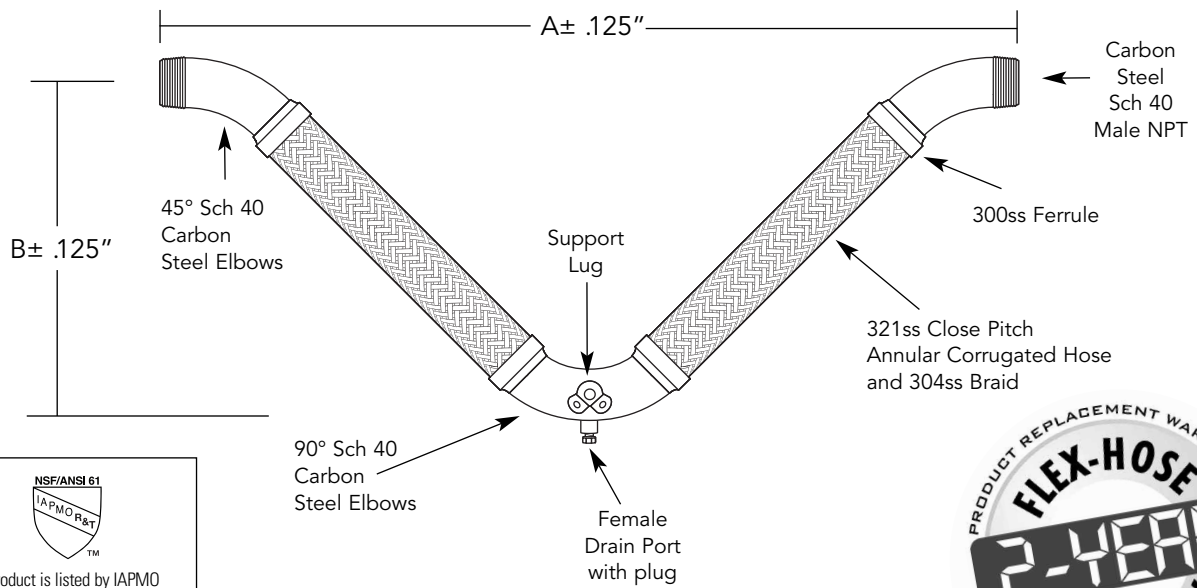


# Two-Leg V-Style Expansion Loops




  
 This product is listed by IAPMO R&T under file #N-7208 for NSF/ANSI 61 and file 7207 for California Lead Plumbing Law and NSF/ANSI-372. Our listed products can be viewed on IAPMO R&T's Web listing at <http://pld.iapmo.org>



QTY.	PIPE SIZE (IN.)	LENGTH (IN.)		PRESSURE (PSI)		DRAIN PORT (IN.)	WT. (LBS.)	COMMENTS
		A	B	70°F	200°F			
	½	28.38	12.00	1100	1034	¼	1.5	
	¾	30.38	13.25	800	752	¼	2.0	
	1	32.88	14.25	750	705	½	3.5	
	1.25	38.50	16.50	725	681	½	5.5	
	1.5	40.13	17.00	565	531	½	6.0	
	2	43.63	18.38	500	470	½	10.0	
	2.5	49.25	21.00	400	376	¾	18.0	
	3	54.13	23.13	285	267	¾	24.0	
	4	62.50	26.25	250	235	¾	38.0	

**MOVEMENT CAPABILITY: +/- 4" SEISMIC; +/- 6" THERMAL**

PROJECT	
CUSTOMER	
ENGINEER	
REPRESENTATIVE	
DRAWING #	



6801 Crossbow Drive  
 East Syracuse, NY USA 13057-1026  
 315/437-1611 • Fax 315/437-1903  
[www.flexhose.com](http://www.flexhose.com) • 1.877.TRI FLEX