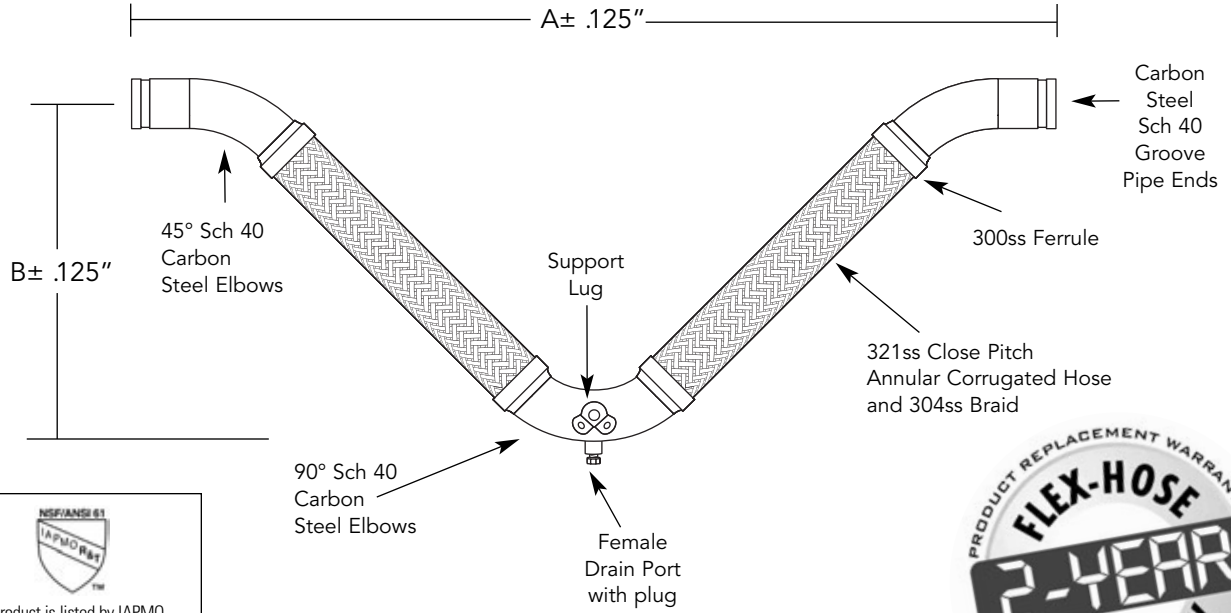


Two-Leg V-Style Expansion Loops





 This product is listed by IAPMO R&T under file #N-7208 for NSF/ANSI 61. Our listed products can be viewed on IAPMO R&T's Web listing at <http://pld.iapmo.org>



QTY.	PIPE SIZE (IN.)	LENGTH (IN.)		PRESSURE (PSI)		DRAIN PORT (IN.)	WT. (LBS.)	COMMENTS
		A	B	70°F	200°F			
	1	32.88	14.25	750	705	½	4.0	
	1.25	38.50	16.50	725	681	½	6.0	
	1.5	40.13	17.00	565	531	½	6.5	
	2	43.63	18.38	500	470	½	11.0	
	2.5	49.25	21.00	400	376	¾	20.0	
	3	54.13	23.13	285	267	¾	27.0	
	4	63.50	26.25	250	235	¾	41.0	
	5	74.88	30.00	200	188	¾	65.0	
	6	84.00	33.00	220	206	¾	95.0	
	8	98.88	39.25	215	202	¾	186.0	
	10	116.50	45.50	200	188	¾	329.0	
	12	132.25	52.75	160	150	¾	338.0	

MOVEMENT CAPABILITY: +/- 4" SEISMIC; +/- 6" THERMAL

PROJECT	
CUSTOMER	
ENGINEER	
REPRESENTATIVE	
DRAWING #	



6801 Crossbow Drive
 East Syracuse, NY USA 13057-1026
 315/437-1611 • Fax 315/437-1903
www.flexhose.com • 1.877.TRI FLEX

Rev. 06/19

Expansion Loops

FTLVG 1"-12" I.D.