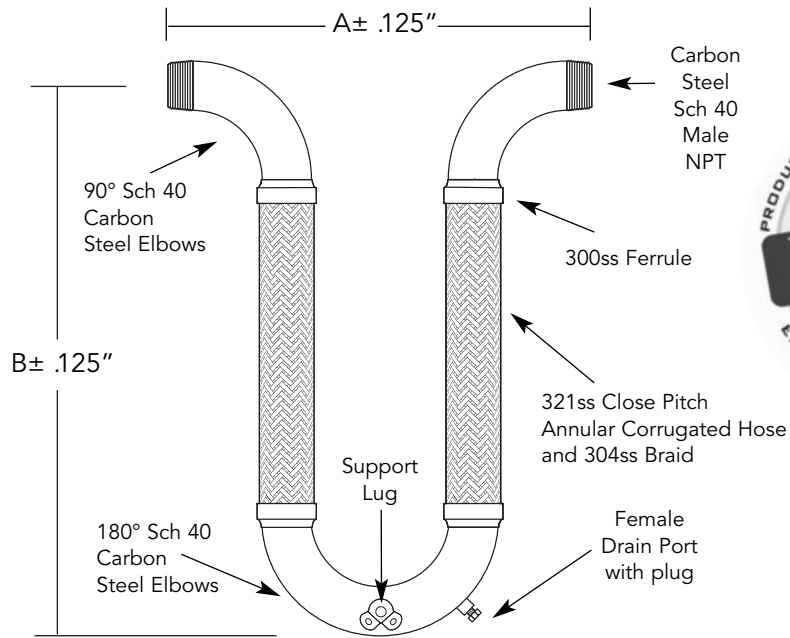


Two-Leg U-Style Expansion Loops





 This product is listed by IAPMO R&T under file #N-7208 for NSF/ANSI 61. Our listed products can be viewed on IAPMO R&T's Web listing at <http://pld.iapmo.org>

QTY.	PIPE SIZE (IN.)	LENGTH (IN.)		PRESSURE (PSI)		DRAIN PORT (IN.)	WT. (LBS.)	COMMENTS
		A	B	70°F	200°F			
	½	12.00	10.25	1100	1034	¼	3.0	
	¾	12.00	11.50	800	752	¼	3.0	
	1	12.00	12.00	750	705	½	5.0	
	1.25	13.50	13.38	725	681	½	7.0	
	1.5	15.00	14.75	565	531	½	10.5	
	2	18.00	17.38	500	470	½	15.0	
	2.5	21.00	21.00	400	376	¾	23.0	
	3	26.00	23.38	285	267	¾	39.0	
	4	32.00	28.00	250	235	¾	55.0	

MOVEMENT CAPABILITY: +/- 1.5"

PROJECT	
CUSTOMER	
ENGINEER	
REPRESENTATIVE	
DRAWING #	



6801 Crossbow Drive
 East Syracuse, NY USA 13057-1026
 315/437-1611 • Fax 315/437-1903
www.flexhose.com • 1.877.TRI FLEX