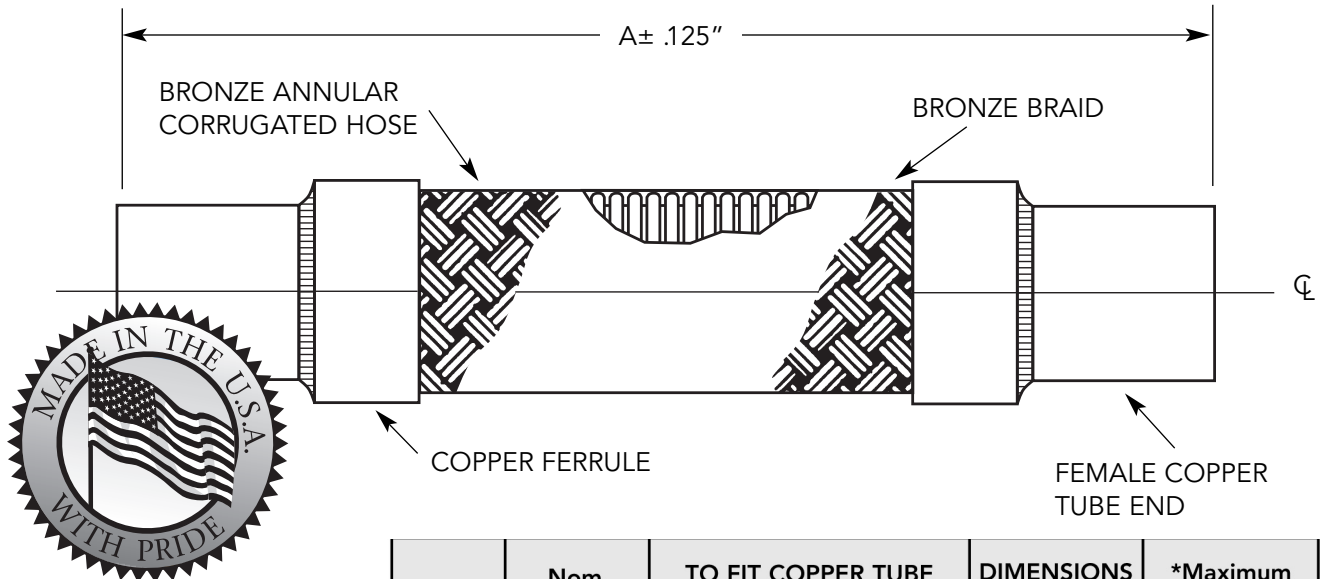


Pumpsaver® Braided Pump Connectors



FOR TEMP ABOVE 70°F	
TEMP °F	FACTOR BRONZE
70	1.00
200	.89
300	.83
400	.78

*For safe working pressure above 70°F, multiply pressure shown at 70°F times correction factor of required temp.

QTY	Nom. Hose I.D. (In.)	TO FIT COPPER TUBE		DIMENSIONS A (In.)	*Maximum Working Pressure (PSI) @ 70°F
		Nom. Size (In.)	Actual O.D. (In.)		
	.50	.50	.625		565
	.75	.75	.875		465
	1.00	1.00	1.125		335
	1.25	1.25	1.375		300
	1.50	1.50	1.625		295
	2.00	2.00	2.125		210
	2.50	2.50	2.625		190
	3.00	3.00	3.125		165

*Working pressures shown for the hose and braid are based on an operating temperature of 70°F (21°C) with a 4:1 safety factor.



CSA standard B-51 certified. Inspected and tested by the Technical Standards and Safety Authority of Canada.



This product is listed by IAPMO R&T under file #N-7208 for NSF/ANSI 61 and file 7207 for California Lead Plumbing Law and NSF/ANSI-372. Our listed products can be viewed on IAPMO R&T's Web listing at <http://pld.iapmo.org>. This BSW copper product has been evaluated for use in drinking water systems pH 6.5 and above. Drinking water supplies that are less than pH 6.5 may require corrosion control to limit leaching of copper into the drinking water.

PROJECT	
CUSTOMER	
ENGINEER	
REPRESENTATIVE	
DRAWING #	



6801 Crossbow Drive
 East Syracuse, NY USA 13057-1026
 315/437-1611 • Fax 315/437-1903
www.flexhose.com • 1.877.TRI FLEX