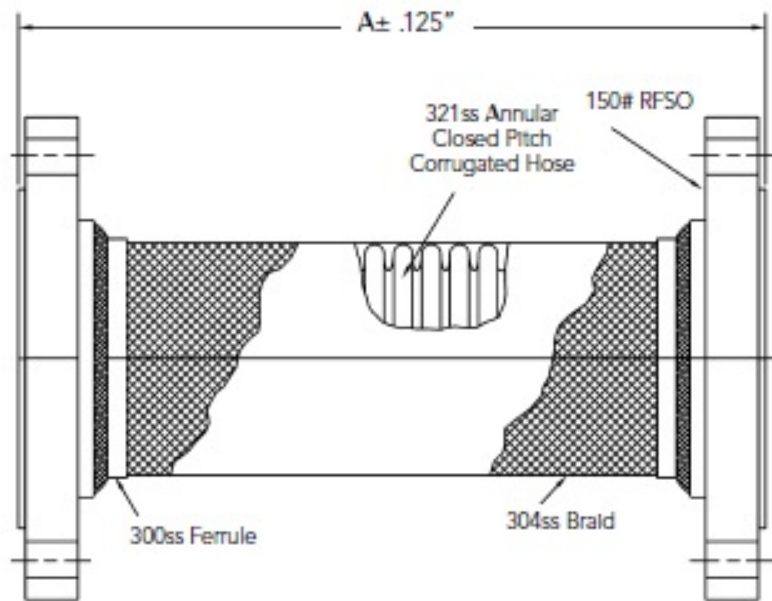


FULTRA *fuelflex*™

UL Listed Connectors for Gas/Fuel Fired Equipment



LISTED
UltraFuel Flex®
for compressed and
combustible gases
33NB

Note: The term compressed and combustible gases, as used herein, means gases such as liquefied petroleum gases, and manufactured and natural fuel gases.

Qty	I.D. (In.)	A (In.)	Pressure (PSI) 70°F	Parallel Offset (In.)		Angular Deflection (Deg.)	Weight (Lb.)
				Permanent	Intermittent		
1.00	1.00	15.00	175	1.75	1.12	80°	6.00
1.25	1.25	15.00	175	1.75	1.00	50°	8.00
1.50	1.50	15.00	175	1.75	.75	50°	9.00
2.00	2.00	18.00	175	2.75	1.12	60°	14.00
2.50	2.50	19.00	175	2.50	.75	60°	20.00
3.00	3.00	19.00	175	1.75	.62	50°	23.00
4.00	4.00	22.00	175	2.00	.75	40°	32.00

*Working pressures shown for the hose and braid are based on an operating temperature of 70°F (21°C) with a 5:1 safety factor.

NOTE: Assembly lengths are the minimum required to achieve movements noted on charts. Movements can increase by adding to the overall length. Please consult factory.

CYCLE TESTED FOR
20,000
cycles

One of the rigorous testing requirements of UL536 testing is flexure cycle testing. UltraFuel Flex was flexure tested for 20,000 cycles while maintaining a working pressure of 175 psig. Upon successful completion of 20,000 cycles, UltraFuel Flex was pressurized to 875 psig (5:1 safety factor) and maintained pressure integrity.

END FITTING MATERIAL SPECIFICATIONS

CARBON STEEL

STAINLESS STEEL

PROJECT	
CUSTOMER	
ENGINEER	
REPRESENTATIVE	
DRAWING #	



6801 Crossbow Drive
East Syracuse, NY USA 13057-1026
315/437-1611 • Fax 315/437-1903
www.flexhose.com • 1.877.TRI FLEX

Rev. 201807

UL LISTED CONNECTORS

UFFRR-UL 1"-4" I.D.