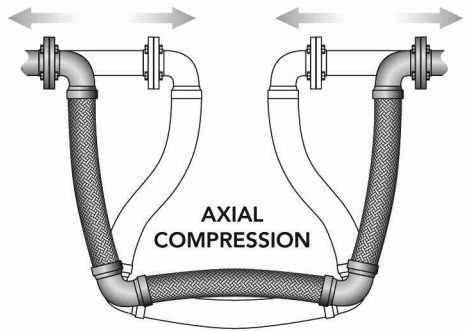
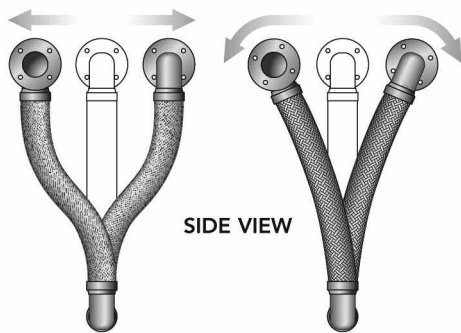


Tri-Flex Loop® Expansion Loops & Seismic Connectors

Movement Capabilities



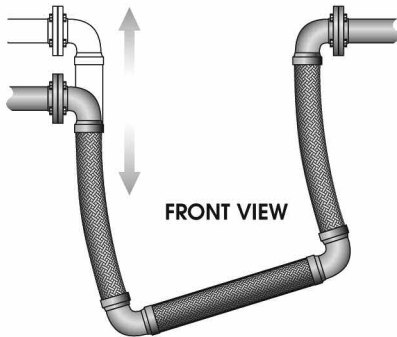
AXIAL EXTENSION
FRONT VIEW



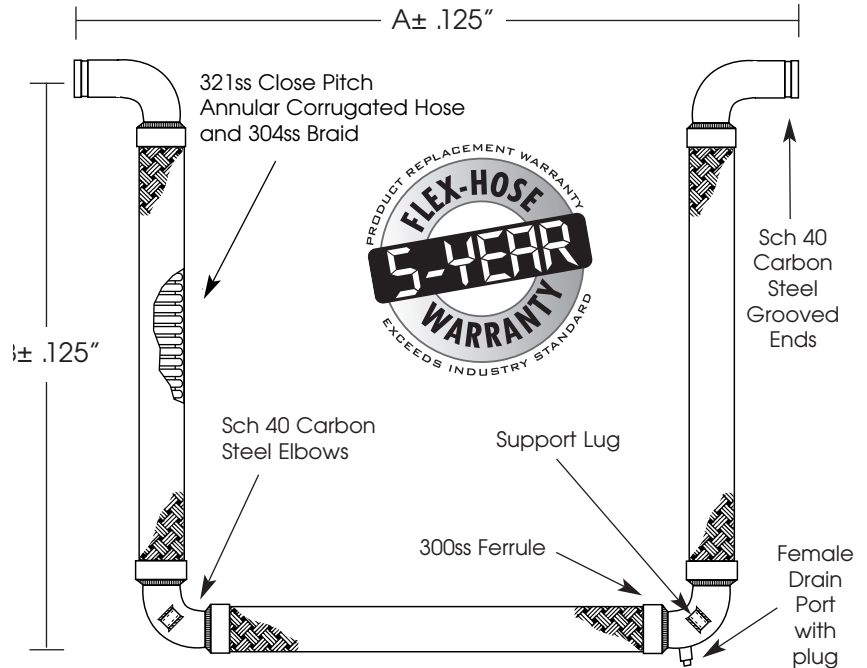
SIDE VIEW

PARALLEL OFFSET
"Z" AXIS

PARALLEL OFFSET
WITH "X" AXIS
ROTATION



FRONT VIEW



I.D. (IN)	LENGTH (IN)		PRESSURE (PSI)		MOVEMENT CAPABILITY					DRAIN PORT (IN)	WT (LBS)	NOTES
	A	B	70°F	200°F	COMPRESSION (IN)	EXTENSION (IN)	PARALLEL (IN)	ROTATION "X" AXIS (DEG)	NON-PARALLEL "Y" AXIS (IN)			
1.0	21.00	15.75	750	705	2	2	2	20°	1	½	6	
1.5	27.00	19.50	555	520	2	2	2	15°	1	½	11	
2.0	31.00	22.25	500	470	2	2	2	10°	1	½	15	
2.5	35.00	25.00	385	360	2	2	2	10°	1	¾	27	
3.0	39.25	28.00	285	265	2	2	2	10°	1	¾	37	
4.0	48.75	33.00	230	215	2	2	2	5°	1	¾	64	
5.0	61.50	41.25	190	175	2	2	2	5°	1	¾	105	
6.0	67.75	45.00	165	155	2	2	2	3°	1	¾	154	
8.0	82.00	53.25	180	165	2	2	2	ON APPLICATION	1	¾	278	
10.0	99.00	63.38	170	160	2	2	2	ON APPLICATION	1	¾	487	
12.0	113.00	72.38	145	135	2	2	2	ON APPLICATION	1	¾	700	

Working pressures shown for the hose and braid are based on an operating temperature of 70°F (21°C) with a 4:1 safety factor.



This product is listed by IAPMO R&T under file #N-7208 for NSF/ANSI 61 and file 7207 for California Lead Plumbing Law and NSF/ANSI-372. Our listed products can be viewed on IAPMO R&T's Web listing at <http://pld.iapmo.org>



CSA standard B-51 certified. Inspected and tested by the Technical Standards and Safety Authority of Canada.



APPROVED

For Fire Protection Systems



6801 Crossbow Drive • East Syracuse, NY USA 13057-1026

315/437-1611 • Fax 315/437-1903

www.flexhose.com • 1.877.TRI FLEX

PROJECT	
CUSTOMER	
ENGINEER	
REPRESENTATIVE	
DRAWING #	