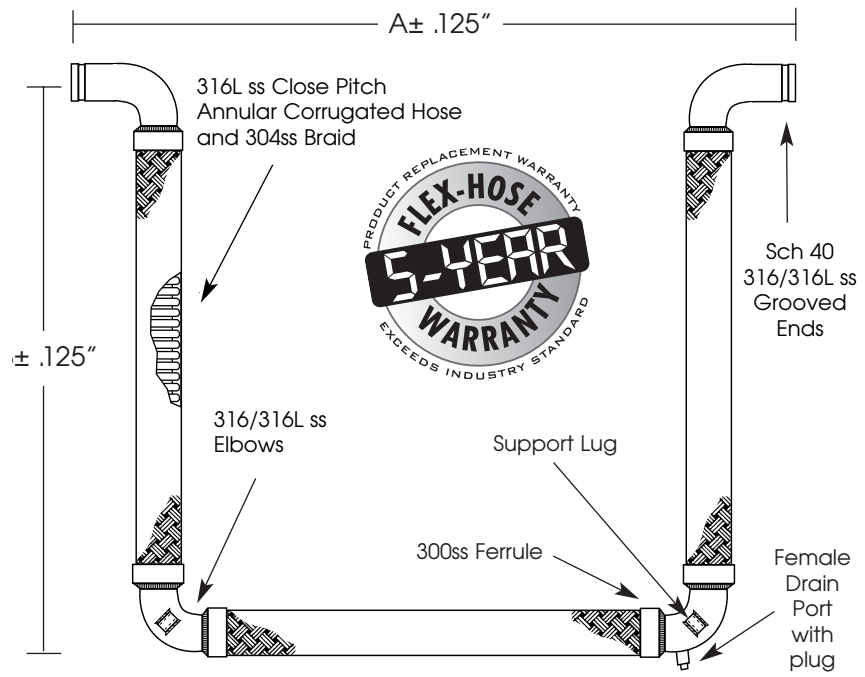
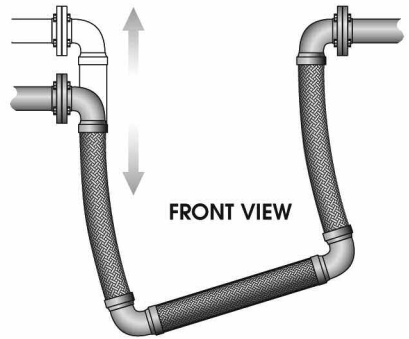
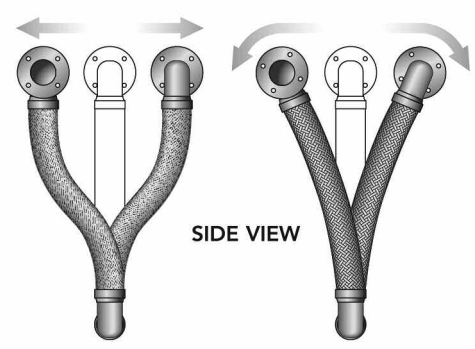
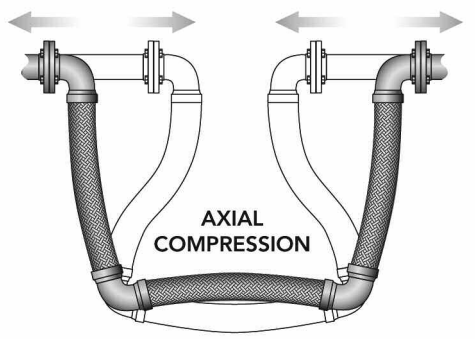


# Tri-Flex Loop® Expansion Loops & Seismic Connectors

## Movement Capabilities



I.D. (IN)	LENGTH (IN)		PRESSURE (PSI)		MOVEMENT CAPABILITY					DRAIN PORT (IN)	WT (LBS)	NOTES
	A	B	70°F	200°F	COMPRESSION (IN)	EXTENSION (IN)	PARALLEL (IN)	ROTATION "X" AXIS (DEG)	NON-PARALLEL "Y" AXIS (IN)			
1.0	21.00	15.75	750	665	2	2	2	20°	1	½	6	
1.5	27.00	19.50	555	490	2	2	2	15°	1	½	11	
2.0	31.00	22.25	500	445	2	2	2	10°	1	½	15	
2.5	35.00	25.00	385	340	2	2	2	10°	1	¾	27	
3.0	39.25	28.00	285	250	2	2	2	10°	1	¾	37	
4.0	48.75	33.00	230	200	2	2	2	5°	1	¾	64	
5.0	61.50	41.25	190	165	2	2	2	5°	1	¾	105	
6.0	67.75	45.00	165	145	2	2	2	3°	1	¾	154	
8.0	82.00	53.25	180	160	2	2	2	ON APPLICATION	1	¾	278	
10.0	99.00	63.38	170	150	2	2	2	ON APPLICATION	1	¾	487	
12.0	113.00	72.38	145	125	2	2	2	ON APPLICATION	1	¾	700	

Working pressures shown for the hose and braid are based on an operating temperature of 70°F (21°C) with a 4:1 safety factor.

This product is listed by IAPMO R&T under file #N-7208 for NSF/ANSI 61 and file 7207 for California Lead Plumbing Law and NSF/ANSI-372. Our listed products can be viewed on IAPMO R&T's Web listing at <http://pld.iapmo.org>

CSA standard B-51 certified. Inspected and tested by the Technical Standards and Safety Authority of Canada.

**FM**  
APPROVED  
For Fire Protection Systems

PROJECT	
CUSTOMER	
ENGINEER	
REPRESENTATIVE	
DRAWING #	

**FLEX-HOSE** CO. INC.

6801 Crossbow Drive • East Syracuse, NY USA 13057-1026  
315/437-1611 • Fax 315/437-1903  
[www.flexhose.com](http://www.flexhose.com) • 1.877.TRI FLEX