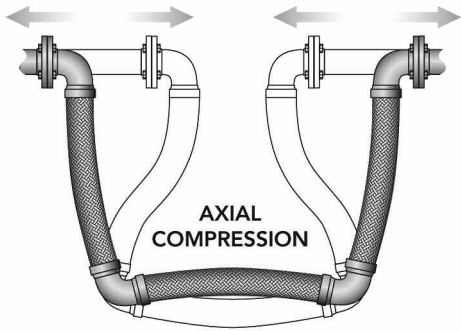
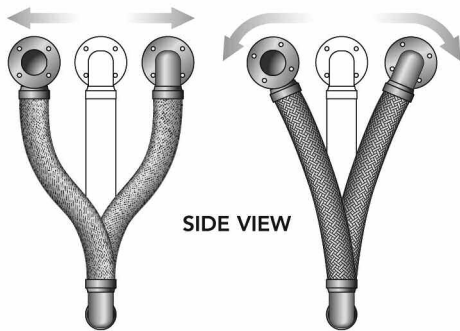


Tri-Flex Loop® Expansion Loops & Seismic Connectors

Movement Capabilities

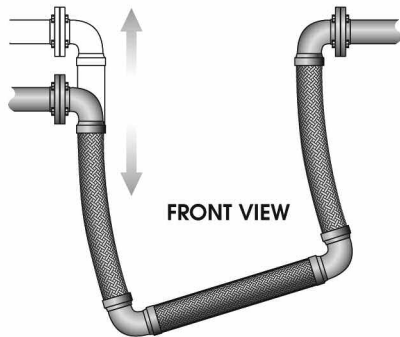


AXIAL EXTENSION
FRONT VIEW



PARALLEL OFFSET
"Z" AXIS

PARALLEL OFFSET
WITH "X" AXIS
ROTATION

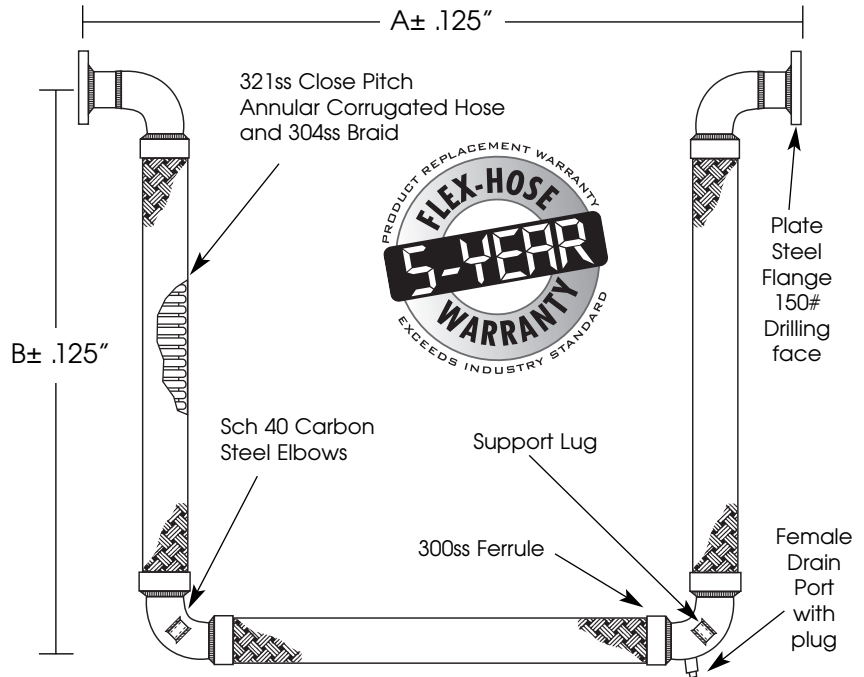


NON-PARALLEL OFFSET "Y" AXIS



This product is listed by IAPMO R&T under file #N-7208 for NSF/ANSI 61 and file 7207 for California Lead Plumbing Law and NSF/ANSI-372. Our listed products can be viewed on IAPMO R&T's Web listing at <http://pld.iapmo.org>

PROJECT	
CUSTOMER	
ENGINEER	
REPRESENTATIVE	
DRAWING #	



I.D. (IN)	LENGTH (IN)		PRESSURE (PSI)		MOVEMENT CAPABILITY					DRAIN PORT (IN)	WT (LBS)	NOTES
	A	B	70°F	200°F	COMPRESSION (IN)	EXTENSION (IN)	PARALLEL (IN)	ROTATION "X" AXIS (DEG)	NON-PARALLEL "Y" AXIS (IN)			
2.0	31.50	22.25	500	470	2	2	2	10°	1	½	22	
2.5	35.50	25.00	400	376	2	2	2	10°	1	¾	37	
3.0	39.75	28.00	285	267	2	2	2	10°	1	¾	48	
4.0	43.25	33.00	250	235	2	2	2	5°	1	¾	79	
5.0	54.00	41.25	200	188	2	2	2	5°	1	¾	125	
6.0	60.25	45.00	220	206	2	2	2	3°	1	¾	177	
8.0	73.50	53.25	215	202	2	2	2	ON APPLICATION	1	¾	320	
10.0	88.50	63.38	200	188	2	2	2	ON APPLICATION	1	¾	537	
12.0	102.50	72.38	160	150	2	2	2	ON APPLICATION	1	¾	780	

Working pressures shown for the hose and braid are based on an operating temperature of 70°F (21°C) with a 4:1 safety factor.



CSA standard B-51 certified. Inspected and tested by the Technical Standards and Safety Authority of Canada.



APPROVED

For Fire Protection Systems



6801 Crossbow Drive • East Syracuse, NY USA 13057-1026
315/437-1611 • Fax 315/437-1903
www.flexhose.com • 1.877.TRI FLEX