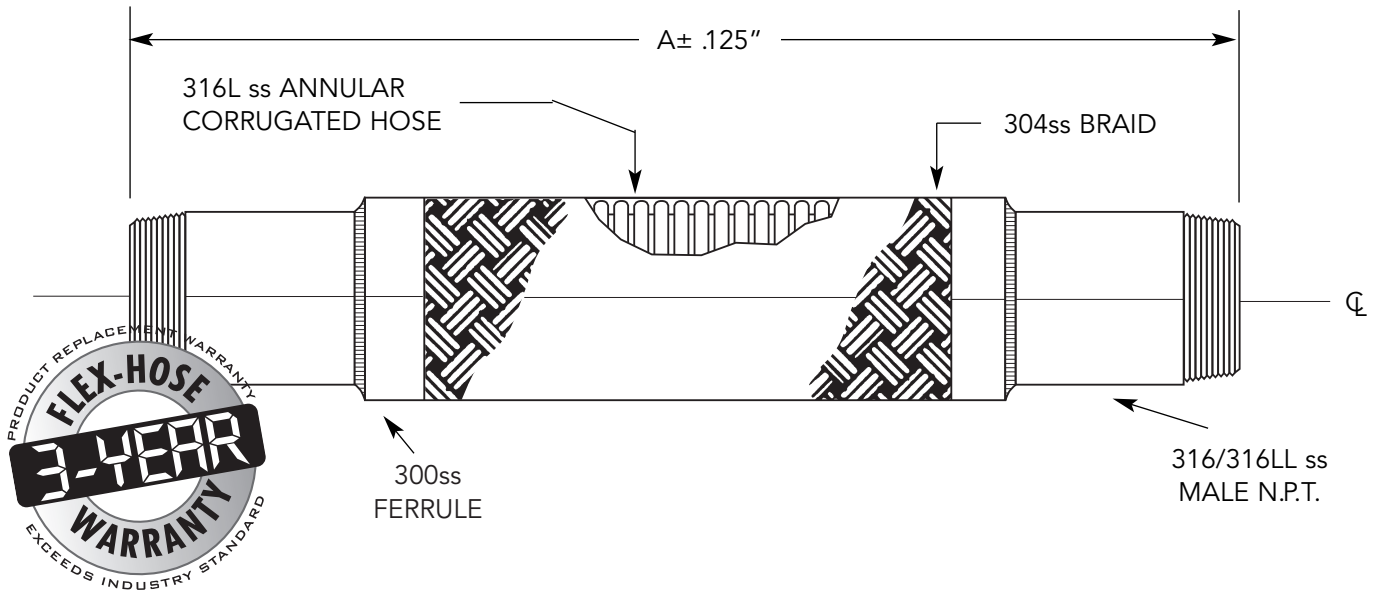


Pumpsaver® Braided Pump Connectors



FOR TEMP ABOVE 70°F	
TEMP °F	FACTOR 316 S.S.
70	1.00
200	.92
300	.86
400	.82
500	.77
600	.73

Qty	I.D. (In.)	A (In.)	Pressure (PSI) 70°F	Parallel Offset (In.) Permanent	Intermittent	Weight (lb)	NOTES
	.50	6.50	1100	1/2	1/8	.50	
	.75	7.00	800	1/2	1/8	.75	
	1.00	8.00	750	3/8	1/8	1.00	
	1.25	8.50	725	3/8	1/8	1.25	
	1.50	9.00	565	1/2	1/8	1.50	
	2.00	10.50	500	3/8	1/8	2.50	
	2.50	12.00	400	3/4	1/4	4.00	
	3.00	14.00	285	1	1/2	6.00	
	4.00	16.00	250	1 1/4	5/8	8.00	

*Working pressures shown for the hose and braid are based on an operating temperature of 70°F (21°C) with a 4:1 safety factor.

*For safe working pressure above 70°F, multiply pressure shown at 70°F times correction factor of required temp.

END FITTING OPTIONS: SCH'D 40 IPS

SCH'D 80 IPS



CSA standard B-51 certified. Inspected and tested by the Technical Standards and Safety Authority of Canada.



This product is listed by IAPMO R&T under file #N-7208 for NSF/ANSI 61 and file 7207 for California Lead Plumbing Law and NSF/ANSI-372. Our listed products can be viewed on IAPMO R&T's Web listing at <http://pld.iapmo.org>

PROJECT	
CUSTOMER	
ENGINEER	
REPRESENTATIVE	
DRAWING #	



6801 Crossbow Drive
 East Syracuse, NY USA 13057-1026
 315/437-1611 • Fax 315/437-1903
www.flexhose.com • 1.877.TRI FLEX

