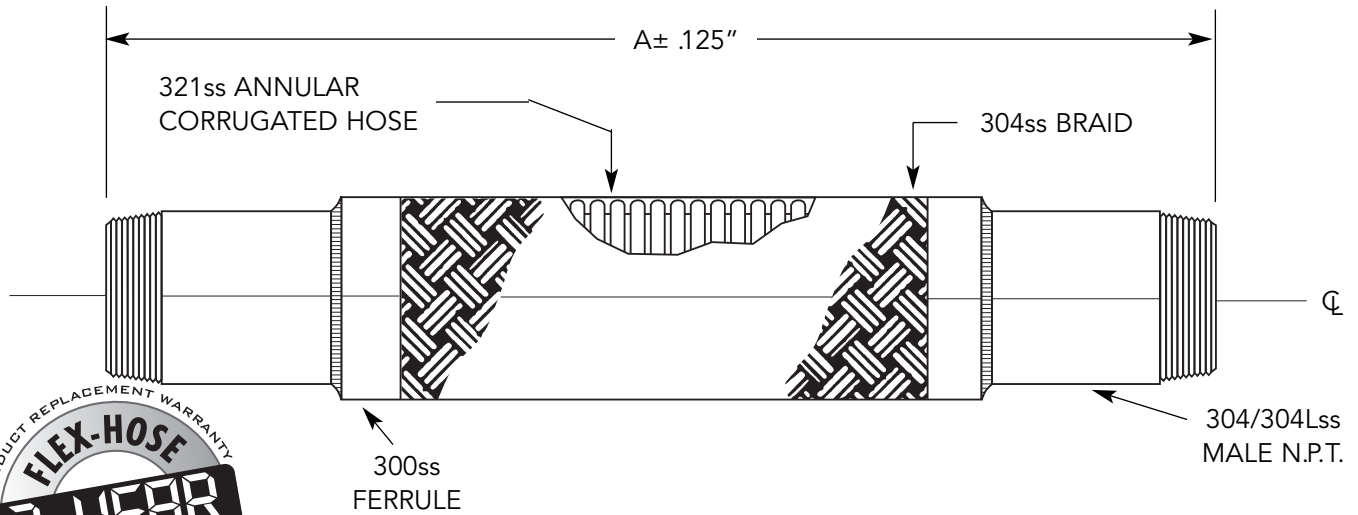


# Pumpsaver® Braided Pump Connectors



FOR TEMP ABOVE 70°F	
TEMP °F	FACTOR S.S.
70	1.00
200	.94
300	.88
400	.83
500	.78
600	.74

QTY	I.D. (In.)	A (In.)	*Pressure (PSI) @ 70°F	NOTES
	.50		1100	
	.75		800	
	1.00		750	
	1.25		725	
	1.50		565	
	2.00		500	
	2.50		400	
	3.00		285	
	4.00		250	

\*Working pressures shown for the hose and braid are based on an operating temperature of 70°F (21°C) with a 4:1 safety factor.

END FITTING OPTIONS: SCH'D 40 IPS

SCH'D 80 IPS

\*For safe working pressure above 70°F, multiply pressure shown at 70°F times correction factor of required temp.



CSA standard B-51 certified. Inspected and tested by the Technical Standards and Safety Authority of Canada.



PROJECT	
CUSTOMER	
ENGINEER	
REPRESENTATIVE	
DRAWING #	



6801 Crossbow Drive  
 East Syracuse, NY USA 13057-1026  
 315/437-1611 • Fax 315/437-1903  
 www.flexhose.com • 1.877.TRI FLEX