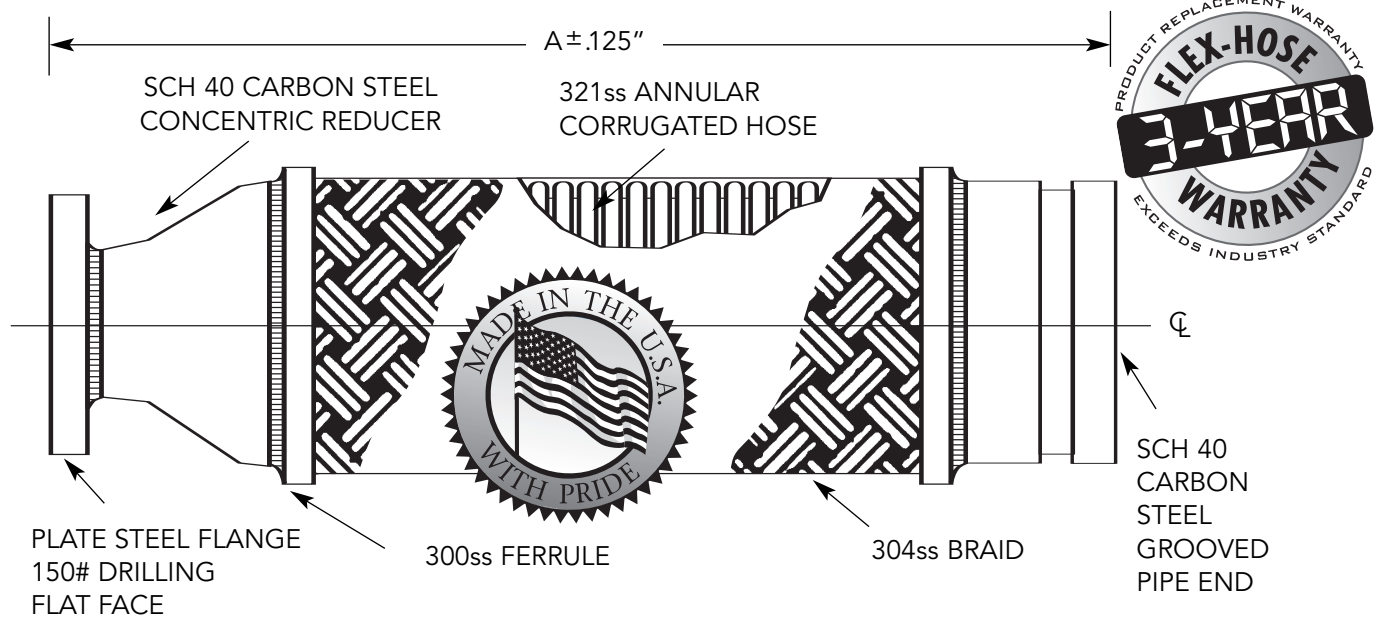


# Pumpsaver® Braided Pump Connectors



FOR TEMP ABOVE 70°F	
TEMP °F	FACTOR S.S.
70	1.00
200	.94
300	.88
400	.83
500	.78
600	.74

\*For safe working pressure above 70°F, multiply pressure shown at 70°F times correction factor of required temp.

I.D. (In.)		Length (In.)	Pressure (PSI) 70°F	Parallel Offset (In.)		Weight (lb)	Notes
Small Flange	Large Groove & Hose			Permanent	Intermittent		
1.50	2.00	14.00	500	1½	¾	6.70	
1.50	2.50	14.00	385	1¼	¾	6.90	
2.00	2.50	14.00	385	1¼	¾	8.10	
2.00	3.00	14.00	285	¾	¾	10.10	
2.00	4.00	15.00	230	½	¼	12.00	
2.50	3.00	14.00	285	¾	¾	11.20	
2.50	4.00	15.00	230	½	¼	14.70	
2.50	5.00	18.00	190	¾	¾	18.90	
2.50	6.00	19.00	165	¾	¾	25.30	
3.00	4.00	15.00	230	½	¼	15.50	
3.00	5.00	18.00	190	¾	¾	19.70	
3.00	6.00	19.00	165	¾	¾	26.10	
4.00	5.00	18.00	190	¾	¾	21.60	
4.00	6.00	19.00	165	¾	¾	28.00	
4.00	8.00	20.00	180	¾	¼	38.40	
5.00	6.00	19.00	165	¾	¾	31.00	
5.00	8.00	20.00	180	¾	¼	40.70	
6.00	8.00	20.00	180	½	¼	41.70	
8.00	10.00	23.00	170	½	¼	84.00	
10.00	12.00	25.00	145	½	¼	102.00	



CSA standard B-51 certified. Inspected and tested by the Technical Standards and Safety Authority of Canada.

\*Working pressures shown for the hose and braid are based on an operating temperature of 70°F (21°C) with a 4:1 safety factor.

PROJECT	
CUSTOMER	
ENGINEER	
REPRESENTATIVE	
DRAWING #	



6801 Crossbow Drive  
 East Syracuse, NY USA 13057-1026  
 315/437-1611 • Fax 315/437-1903  
 www.flexhose.com • 1.877.TRI FLEX

WS201509

**STAINLESS STEEL PUMP CONNECTORS**

**SF/CI-15PxVG 2"-10" I.D.**

Rev 10-120