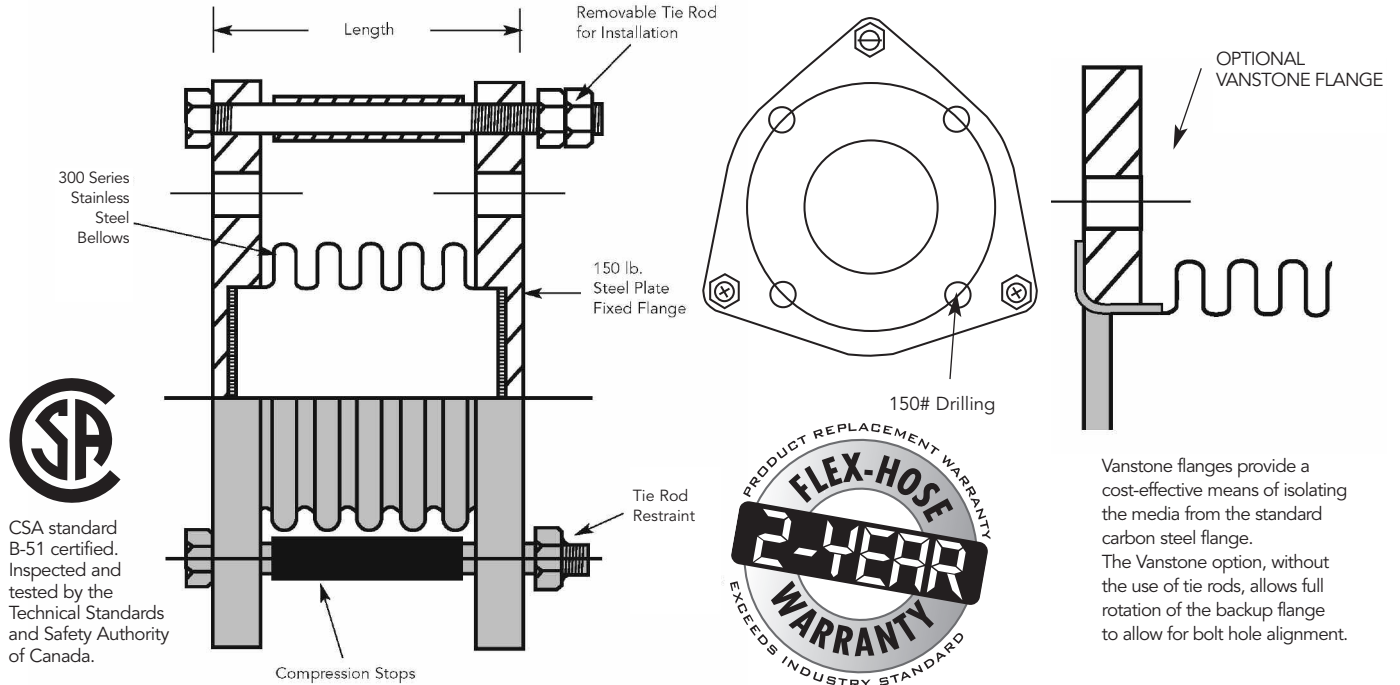


# PUMPFLEX™ BPC-FX Bellows Pump Connectors/Expansion Joints



Optional Flow Liner

All Pumpflex connectors supplied with shipping restraints. Restraints must be removed prior to system test.

Qty	I.D. (In.)	Length (In.)	Pressure (PSI)		Movement Capability (In.)			Weight (Lbs.)	Notes
			70°F	360°F	Compression	Extension	Parallel		
<input type="checkbox"/>	2.00	4.375	225	210	.50	.125	.125	11.00	
<input type="checkbox"/>	2.50	4.375	225	210	.50	.125	.125	15.00	
<input type="checkbox"/>	3.00	4.375	225	210	.50	.125	.125	17.00	
<input type="checkbox"/>	4.00	4.625	225	210	.50	.125	.125	27.00	
<input type="checkbox"/>	5.00	4.875	225	210	.50	.125	.125	33.00	
<input type="checkbox"/>	6.00	5.000	225	210	.50	.125	.125	38.00	
<input type="checkbox"/>	8.00	5.875	225	210	.50	.125	.125	66.00	
<input type="checkbox"/>	10.00	6.250	225	210	.50	.125	.125	87.00	
<input type="checkbox"/>	12.00	6.625	225	210	.50	.125	.125	114.00	

**NOTE:** Custom sizes and higher working pressures available. Please consult factory.

PROJECT	
CUSTOMER	
ENGINEER	
REPRESENTATIVE	
DRAWING #	



6801 Crossbow Drive  
 East Syracuse, NY USA 13057-1026  
 315/437-1611 • Fax 315/437-1903  
[www.flexhose.com](http://www.flexhose.com) • 1.877.METAL EJ

WS201508