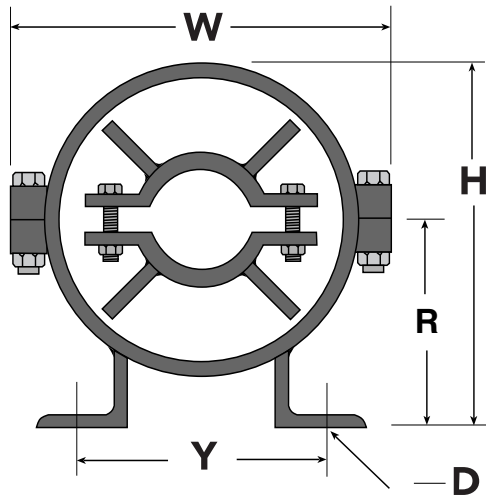


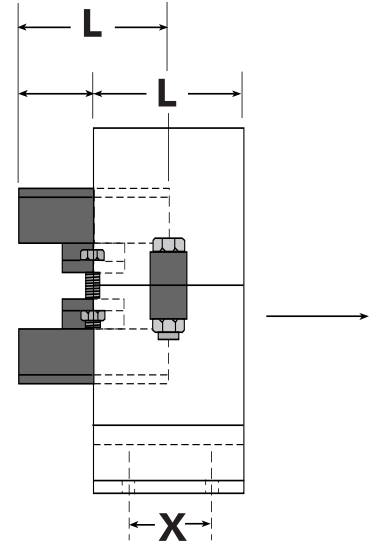
GUIDELINE 1.50 Pipe/Tube Alignment Guides

1.50 MAXIMUM INSULATION



NOTE: The recommendations given for pipe anchors and guides represent the minimum requirements for controlling pipelines which contain expansion joints and are intended to protect the expansion joint and pipe system from abuse and failure. However, additional **pipe supports** are often required between the pipe guides in accordance with accepted piping practices.

A **pipe support** is any device which permits free movement of the piping and carries the total weight of in line equipment such as valves, meters, expansion joints, and the weight of the contained fluid. Pipe supports cannot be substituted for pipe alignment guides. Pipe rings, U-bolts, roller supports, and spring hangers are some examples of conventional pipe supports.



		1.50" MAXIMUM INSULATION								
		General								
Qty	Nom. Pipe Size (In.)	Max. Axial Mvmt (In.)	W	H	R	Y	X	D	L	Wt. (Lb.)
<input type="checkbox"/>	.75	4.00	7.13	6.75	4.00	4.81	1.75	.63	3.00	7.00
<input type="checkbox"/>	1.00	4.00	7.13	6.75	4.00	4.81	1.75	.63	3.00	7.00
<input type="checkbox"/>	1.25	4.00	7.13	6.75	4.00	4.81	1.75	.63	3.00	7.00
<input type="checkbox"/>	1.50	4.00	7.13	6.75	4.00	4.81	1.75	.63	3.00	7.00
<input type="checkbox"/>	2.00	4.00	8.13	7.63	4.38	5.44	1.75	.63	3.00	8.00
<input type="checkbox"/>	2.50	4.00	8.13	7.63	4.38	5.44	1.75	.63	3.00	8.00
<input type="checkbox"/>	3.00	4.00	10.13	9.25	5.25	6.50	1.75	.63	3.00	10.00
<input type="checkbox"/>	4.00	4.00	10.13	9.25	5.25	6.50	1.75	.63	3.00	10.00
<input type="checkbox"/>	5.00	4.00	12.13	11.63	6.25	7.12	2.75	.63	4.00	15.00
<input type="checkbox"/>	6.00	4.00	12.13	11.63	6.25	7.12	2.75	.63	4.00	15.00
<input type="checkbox"/>	8.00	4.00	14.13	13.38	7.00	8.38	2.75	.63	4.00	20.00
<input type="checkbox"/>	10.00	6.00	18.13	16.88	8.88	10.88	4.00	.75	6.00	48.00
<input type="checkbox"/>	12.00	6.00	20.13	18.63	9.63	11.88	4.00	.75	6.00	54.00
<input type="checkbox"/>	14.00	6.00	22.13	20.88	10.88	11.75	4.00	.75	6.00	61.00
<input type="checkbox"/>	16.00	8.00	24.13	23.13	12.13	14.50	6.00	.88	8.00	89.00
<input type="checkbox"/>	18.00	8.00	26.13	24.88	12.88	15.50	6.00	.88	8.00	102.00
<input type="checkbox"/>	20.00	8.00	28.13	27.63	14.63	17.13	6.00	1.13	8.00	110.00
<input type="checkbox"/>	24.00	8.00	32.13	31.18	16.19	19.25	6.00	1.13	8.00	150.00

For Carbon Steel For Copper Tube

Notes

NOTE: Pipe guides for greater insulation thickness and pipe movements available. Please consult factory.



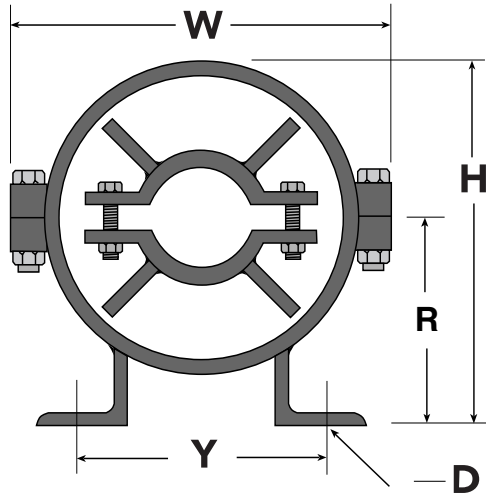
PROJECT	
CUSTOMER	
ENGINEER	
REPRESENTATIVE	
DRAWING #	



6801 Crossbow Drive
East Syracuse, NY USA 13057-1026
315/437-1611 • Fax 315/437-1903
www.flexhose.com • 1.877.METAL EJ

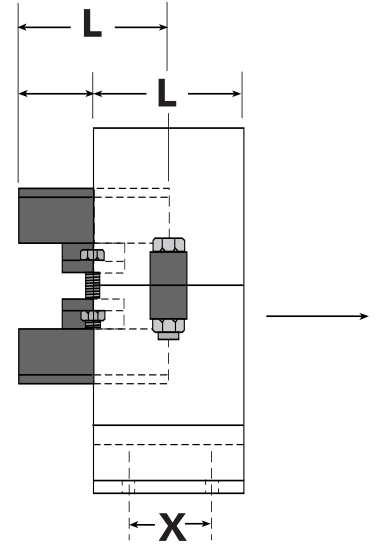
GUIDELINE 2.00 Pipe/Tube Alignment Guides

2.00 MAXIMUM INSULATION



NOTE: The recommendations given for pipe anchors and guides represent the minimum requirements for controlling pipelines which contain expansion joints and are intended to protect the expansion joint and pipe system from abuse and failure. However, additional **pipe supports** are often required between the pipe guides in accordance with accepted piping practices.

A **pipe support** is any device which permits free movement of the piping and carries the total weight of in line equipment such as valves, meters, expansion joints, and the weight of the contained fluid. Pipe supports cannot be substituted for pipe alignment guides. Pipe rings, U-bolts, roller supports, and spring hangers are some examples of conventional pipe supports.



		2.00" MAXIMUM INSULATION								
		General								
Qty	Nom. Pipe Size (In.)	Max. Axial Mvmt (In.)	W	H	R	Y	X	D	L	Wt. (Lb.)
<input type="checkbox"/>	.75	4.00	8.13	7.63	4.38	5.44	1.75	.63	3.00	8.00
<input type="checkbox"/>	1.00	4.00	8.13	7.63	4.38	5.44	1.75	.63	3.00	8.00
<input type="checkbox"/>	1.25	4.00	8.13	7.63	4.38	5.44	1.75	.63	3.00	8.00
<input type="checkbox"/>	1.50	4.00	8.13	7.63	4.38	5.44	1.75	.63	3.00	8.00
<input type="checkbox"/>	2.00	4.00	10.13	9.25	5.25	6.50	1.75	.63	3.00	10.00
<input type="checkbox"/>	2.50	4.00	10.13	9.25	5.25	6.50	1.75	.63	3.00	10.00
<input type="checkbox"/>	3.00	4.00	10.13	9.25	5.25	6.50	1.75	.63	3.00	10.00
<input type="checkbox"/>	4.00	4.00	12.13	11.63	6.25	7.13	2.75	.63	4.00	15.00
<input type="checkbox"/>	5.00	4.00	12.13	11.63	6.25	7.13	2.75	.63	4.00	15.00
<input type="checkbox"/>	6.00	4.00	14.13	13.38	7.00	8.38	2.75	.63	4.00	20.00
<input type="checkbox"/>	8.00	6.00	16.13	14.88	7.88	9.88	4.00	.75	6.00	40.00
<input type="checkbox"/>	10.00	6.00	18.13	16.88	8.88	10.88	4.00	.75	6.00	48.00
<input type="checkbox"/>	12.00	6.00	20.13	18.63	9.63	11.88	4.00	.75	6.00	54.00
<input type="checkbox"/>	14.00	6.00	22.13	20.88	10.88	11.75	4.00	.75	6.00	61.00
<input type="checkbox"/>	16.00	8.00	24.13	23.13	12.13	14.50	6.00	.88	8.00	89.00
<input type="checkbox"/>	18.00	8.00	26.13	24.88	12.88	15.50	6.00	.88	8.00	102.00
<input type="checkbox"/>	20.00	8.00	28.13	27.63	14.63	17.13	6.00	1.13	8.00	110.00
<input type="checkbox"/>	24.00	8.00	32.13	31.19	16.19	19.25	6.00	1.13	8.00	150.00

For Carbon Steel For Copper Tube

Notes

NOTE: Pipe guides for greater insulation thickness and pipe movements available. Please consult factory.



PROJECT	
CUSTOMER	
ENGINEER	
REPRESENTATIVE	
DRAWING #	



6801 Crossbow Drive
 East Syracuse, NY USA 13057-1026
 315/437-1611 • Fax 315/437-1903
 www.flexhose.com • 1.877.METAL EJ