

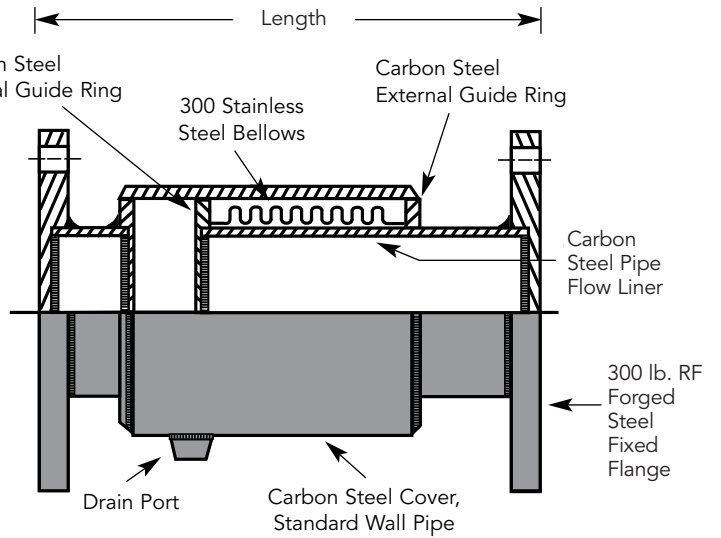
FLEXPRESS™ FP-S/300 Externally Pressurized Guided Expansion Joints



Maximum Temperature 650°F

Design Pressure 300 PSIG • Test Pressure 450 PSIG

Qty	I.D. (In.)	Bellows Area (Sq. In.)	Length (In.)	Movement Capability (In.)		Weight (Lbs.)
				Compression	Extension	
<input type="checkbox"/>	2.00	12	25.75	4.00	.75	49.00
			34.75	6.00	1.12	63.00
			41.75	8.00	1.50	72.00
<input type="checkbox"/>	2.50	12	25.75	4.00	.75	56.00
			34.75	6.00	1.12	73.00
			41.75	8.00	1.50	84.00
<input type="checkbox"/>	3.00	16	24.75	4.00	.75	75.00
			31.25	6.00	1.12	87.00
			39.75	8.00	1.50	106.00
<input type="checkbox"/>	4.00	30	25.75	4.00	.75	121.00
			32.50	6.00	1.12	141.00
			41.25	8.00	1.50	170.00
<input type="checkbox"/>	5.00	42	24.50	4.00	.75	158.00
			30.75	6.00	1.12	181.00
			36.75	8.00	1.50	203.00
<input type="checkbox"/>	6.00	53	25.25	4.00	.75	190.00
			31.25	6.00	1.12	214.00
			37.50	8.00	1.50	239.00
<input type="checkbox"/>	8.00	83	26.75	4.00	.75	295.00
			33.50	6.00	1.12	336.00
			40.00	8.00	1.50	377.00
<input type="checkbox"/>	10.00	135	28.50	4.00	1.00	396.00
			35.75	6.00	1.50	452.00
			44.75	8.00	2.00	534.00
<input type="checkbox"/>	12.00	182	30.50	4.00	1.00	540.00
			38.25	6.00	1.50	610.00
			47.75	8.00	2.00	712.00
<input type="checkbox"/>	14.00	212	30.75	4.00	1.00	732.00
			38.50	6.00	1.50	828.00
			48.00	8.00	2.00	966.00
<input type="checkbox"/>	16.00	276	31.50	4.00	1.00	798.00
			39.25	6.00	1.50	905.00
			48.75	8.00	2.00	1060.00
<input type="checkbox"/>	18.00	338	31.75	4.00	1.00	1007.00
			39.50	6.00	1.50	1126.00
			49.00	8.00	2.00	1297.00
<input type="checkbox"/>	20.00	404	32.00	4.00	1.00	1189.00
			39.75	6.00	1.50	1319.00
			49.25	8.00	2.00	1507.00
<input type="checkbox"/>	22.00	481	32.75	4.00	1.00	1356.00
			40.50	6.00	1.50	1497.00
			50.00	8.00	2.00	1702.00
<input type="checkbox"/>	24.00	562	33.00	4.00	1.00	1619.00
			40.75	6.00	1.50	1772.00
			50.25	8.00	2.00	1993.00



Notes



CSA standard B-51 certified. Inspected and tested by the Technical Standards and Safety Authority of Canada.



PROJECT	
CUSTOMER	
ENGINEER	
REPRESENTATIVE	
DRAWING #	



6801 Crossbow Drive
 East Syracuse, NY USA 13057-1026
 315/437-1611 • Fax 315/437-1903
www.flexhose.com • 1.877.METAL EJ

WS201508

EXTERNALLY PRESSURIZED EXPANSION JOINTS

FP-S/300 FxF 2"-24" I.D.