

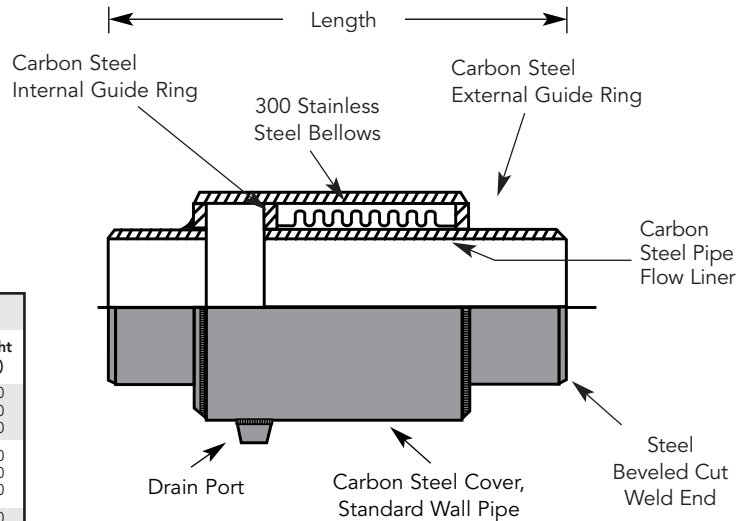
FLEXPRESS™ FP-S/150 Externally Pressurized Guided Expansion Joints



Maximum Temperature 650°F

Design Pressure 150 PSIG • Test Pressure 225 PSIG

Qty	I.D. (In.)	Bellows Area (Sq. In.)	Length (In.)	Movement Capability (In.)		Weight (Lbs.)
				Compression	Extension	
<input type="checkbox"/>	2.00	12	23.25	4.00	.75	33.00
			32.00	6.00	1.12	46.00
			39.25	8.00	1.50	55.00
<input type="checkbox"/>	2.50	12	23.25	4.00	.75	35.00
			32.00	6.00	1.12	50.00
			39.25	8.00	1.50	60.00
<input type="checkbox"/>	3.00	16	22.25	4.00	.75	46.00
			28.50	6.00	1.12	57.00
			37.25	8.00	1.50	74.00
<input type="checkbox"/>	4.00	30	22.75	4.00	.75	72.00
			29.50	6.00	1.12	89.00
			38.50	8.00	1.50	116.00
<input type="checkbox"/>	5.00	42	21.50	4.00	.75	95.00
			27.50	6.00	1.12	116.00
			33.75	8.00	1.50	138.00
<input type="checkbox"/>	6.00	53	21.50	4.00	.75	102.00
			27.50	6.00	1.12	125.00
			33.75	8.00	1.50	149.00
<input type="checkbox"/>	8.00	83	22.50	4.00	.75	161.00
			29.00	6.00	1.12	198.00
			35.75	8.00	1.50	236.00
<input type="checkbox"/>	10.00	135	23.75	4.00	1.00	209.00
			30.75	6.00	1.50	261.00
			40.00	8.00	2.00	337.00
<input type="checkbox"/>	12.00	182	24.50	4.00	1.00	257.00
			32.00	6.00	1.50	324.00
			41.75	8.00	2.00	419.00
<input type="checkbox"/>	14.00	212	24.50	4.00	1.00	293.00
			32.00	6.00	1.50	367.00
			41.75	8.00	2.00	473.00
<input type="checkbox"/>	16.00	276	24.50	4.00	1.00	329.00
			32.00	6.00	1.50	412.00
			41.75	8.00	2.00	530.00
<input type="checkbox"/>	18.00	338	24.50	4.00	1.00	364.00
			32.00	6.00	1.50	456.00
			41.75	8.00	2.00	588.00
<input type="checkbox"/>	20.00	404	24.50	4.00	1.00	400.00
			32.00	6.00	1.50	501.00
			41.75	8.00	2.00	646.00
<input type="checkbox"/>	22.00	481	24.50	4.00	1.00	436.00
			32.00	6.00	1.50	546.00
			41.75	8.00	2.00	703.00
<input type="checkbox"/>	24.00	562	24.50	4.00	1.00	472.00
			32.00	6.00	1.50	590.00
			41.75	8.00	2.00	761.00



Notes



CSA standard B-51 certified. Inspected and tested by the Technical Standards and Safety Authority of Canada.



PROJECT	
CUSTOMER	
ENGINEER	
REPRESENTATIVE	
DRAWING #	



6801 Crossbow Drive
 East Syracuse, NY USA 13057-1026
 315/437-1611 • Fax 315/437-1903
www.flexhose.com • 1.877.METAL EJ

WS201508

EXTERNALLY PRESSURIZED EXPANSION JOINTS

FP-S/150 WxW 2"-24" I.D.