

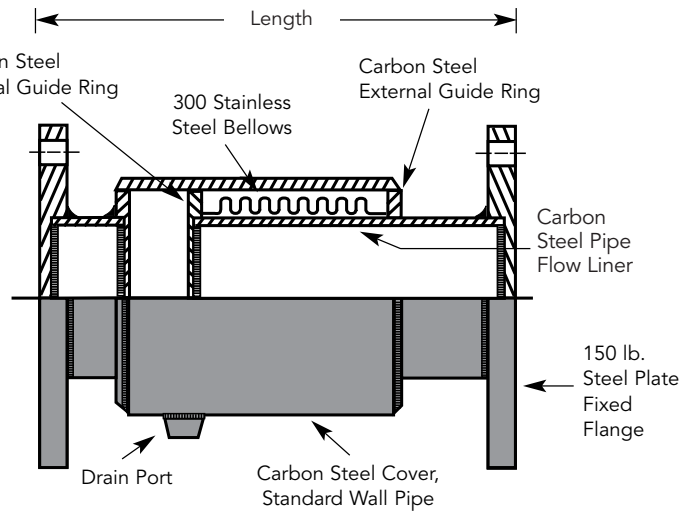
# FLEXPRESS™ FP-S/150 Externally Pressurized Guided Expansion Joints



Maximum Temperature 650°F

Design Pressure 150 PSIG • Test Pressure 225 PSIG

Qty	I.D. (In.)	Bellows Area (Sq. In.)	Length (In.)	Movement Capability (In.)		Weight (Lbs.)
				Compression	Extension	
<input type="checkbox"/>	2.00	12	25.50	4.00	.75	44.00
			34.50	6.00	1.12	56.00
			41.50	8.00	1.50	65.00
<input type="checkbox"/>	2.50	12	25.50	4.00	.75	51.00
			34.50	6.00	1.12	65.00
			41.50	8.00	1.50	75.00
<input type="checkbox"/>	3.00	16	24.50	4.00	.75	63.00
			31.50	6.00	1.12	74.00
			39.50	8.00	1.50	91.00
<input type="checkbox"/>	4.00	30	25.75	4.00	.75	99.00
			32.50	6.00	1.12	117.00
			41.25	8.00	1.50	144.00
<input type="checkbox"/>	5.00	42	24.00	4.00	.75	128.00
			30.00	6.00	1.12	149.00
			36.25	8.00	1.50	171.00
<input type="checkbox"/>	6.00	53	24.00	4.00	.75	144.00
			30.25	6.00	1.12	167.00
			36.25	8.00	1.50	191.00
<input type="checkbox"/>	8.00	83	25.25	4.00	.75	228.00
			32.00	6.00	1.12	265.00
			38.50	8.00	1.50	302.00
<input type="checkbox"/>	10.00	135	26.75	4.00	1.00	306.00
			34.00	6.00	1.50	358.00
			43.25	8.00	2.00	434.00
<input type="checkbox"/>	12.00	182	28.00	4.00	1.00	400.00
			35.75	6.00	1.50	467.00
			45.25	8.00	2.00	562.00
<input type="checkbox"/>	14.00	212	28.25	4.00	1.00	491.00
			36.00	6.00	1.50	565.00
			45.50	8.00	2.00	671.00
<input type="checkbox"/>	16.00	276	28.75	4.00	1.00	547.00
			36.25	6.00	1.50	631.00
			46.00	8.00	2.00	749.00
<input type="checkbox"/>	18.00	338	29.00	4.00	1.00	652.00
			36.50	6.00	1.50	745.00
			46.25	8.00	2.00	875.00
<input type="checkbox"/>	20.00	404	29.75	4.00	1.00	766.00
			37.25	6.00	1.50	868.00
			47.00	8.00	2.00	1012.00
<input type="checkbox"/>	22.00	481	30.00	4.00	1.00	848.00
			37.50	6.00	1.50	959.00
			47.25	8.00	2.00	1115.00
<input type="checkbox"/>	24.00	562	30.25	4.00	1.00	961.00
			38.00	6.00	1.50	1081.00
			47.50	8.00	2.00	1250.00



**Notes**



CSA standard B-51 certified. Inspected and tested by the Technical Standards and Safety Authority of Canada.



6801 Crossbow Drive  
 East Syracuse, NY USA 13057-1026  
 315/437-1611 • Fax 315/437-1903  
 www.flexhose.com • 1.877.METAL EJ

PROJECT	
CUSTOMER	
ENGINEER	
REPRESENTATIVE	
DRAWING #	

WS201508

**EXTERNALLY PRESSURIZED EXPANSION JOINTS**

**FP-S/150 FxF 2"-24" I.D.**