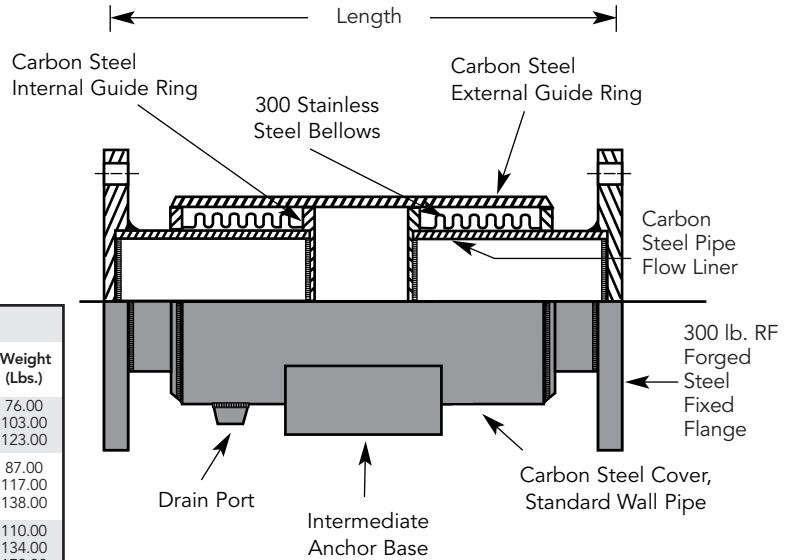


FLEXPRESS™ FP-D/300 Externally Pressurized Guided Expansion Joints



Maximum Temperature 650°F

Qty	Design Pressure 300 PSIG • Test Pressure 450 PSIG					
	I.D. (In.)	Bellows Area (Sq. In.)	Length (In.)	Movement Capability (In.)		Weight (Lbs.)
				Compression	Extension	
<input type="checkbox"/>	2.00	12	43.50	8.00	1.50	76.00
<input type="checkbox"/>			61.50	12.00	2.25	103.00
<input type="checkbox"/>			75.50	16.00	3.00	123.00
<input type="checkbox"/>	2.50	12	43.50	8.00	1.50	87.00
<input type="checkbox"/>			61.50	12.00	2.25	117.00
<input type="checkbox"/>			75.50	16.00	3.00	138.00
<input type="checkbox"/>	3.00	16	41.75	8.00	1.50	110.00
<input type="checkbox"/>			54.75	12.00	2.25	134.00
<input type="checkbox"/>			71.75	16.00	3.00	172.00
<input type="checkbox"/>	4.00	30	43.25	8.00	1.50	177.00
<input type="checkbox"/>			56.75	12.00	2.25	215.00
<input type="checkbox"/>			74.50	16.00	3.00	275.00
<input type="checkbox"/>	5.00	42	40.75	8.00	1.50	230.00
<input type="checkbox"/>			53.00	12.00	2.25	276.00
<input type="checkbox"/>			65.25	16.00	3.00	322.00
<input type="checkbox"/>	6.00	53	41.50	8.00	1.50	270.00
<input type="checkbox"/>			53.75	12.00	2.25	318.00
<input type="checkbox"/>			66.00	16.00	3.00	368.00
<input type="checkbox"/>	8.00	83	44.00	8.00	1.50	416.00
<input type="checkbox"/>			57.25	12.00	2.25	492.00
<input type="checkbox"/>			70.50	16.00	3.00	574.00
<input type="checkbox"/>	10.00	135	46.75	8.00	2.00	540.00
<input type="checkbox"/>			61.25	12.00	3.00	651.00
<input type="checkbox"/>			79.50	16.00	4.00	816.00
<input type="checkbox"/>	12.00	182	49.75	8.00	2.00	741.00
<input type="checkbox"/>			65.00	12.00	3.00	881.00
<input type="checkbox"/>			84.25	16.00	4.00	1085.00
<input type="checkbox"/>	14.00	212	50.00	8.00	2.00	1003.00
<input type="checkbox"/>			65.25	12.00	3.00	1193.00
<input type="checkbox"/>			84.50	16.00	4.00	1471.00
<input type="checkbox"/>	16.00	276	50.75	8.00	2.00	1112.00
<input type="checkbox"/>			66.00	12.00	3.00	1284.00
<input type="checkbox"/>			85.25	16.00	4.00	1528.00
<input type="checkbox"/>	18.00	338	51.00	8.00	2.00	1332.00
<input type="checkbox"/>			66.25	12.00	3.00	1568.00
<input type="checkbox"/>			85.50	16.00	4.00	1912.00
<input type="checkbox"/>	20.00	404	51.25	8.00	2.00	1646.00
<input type="checkbox"/>			66.50	12.00	3.00	1904.00
<input type="checkbox"/>			83.75	16.00	4.00	2282.00
<input type="checkbox"/>	22.00	481	52.00	8.00	2.00	1738.00
<input type="checkbox"/>			67.25	12.00	3.00	2018.00
<input type="checkbox"/>			86.50	16.00	4.00	2430.00
<input type="checkbox"/>	24.00	562	52.25	8.00	2.00	2028.00
<input type="checkbox"/>			67.50	12.00	3.00	2332.00
<input type="checkbox"/>			86.75	16.00	4.00	2776.00



Notes



CSA standard B-51 certified. Inspected and tested by the Technical Standards and Safety Authority of Canada.



6801 Crossbow Drive
 East Syracuse, NY USA 13057-1026
 315/437-1611 • Fax 315/437-1903
www.flexhose.com • 1.877.METAL EJ

PROJECT	
CUSTOMER	
ENGINEER	
REPRESENTATIVE	
DRAWING #	

WS201508

EXTERNALLY PRESSURIZED EXPANSION JOINTS

FP-D/300 FxF 2"-24" I.D.