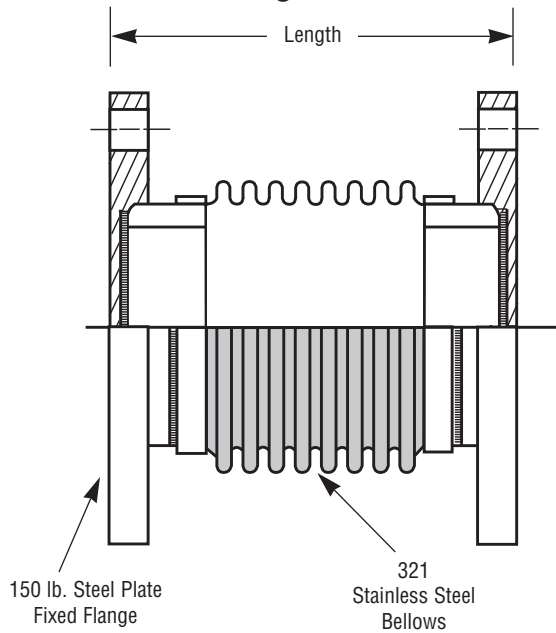
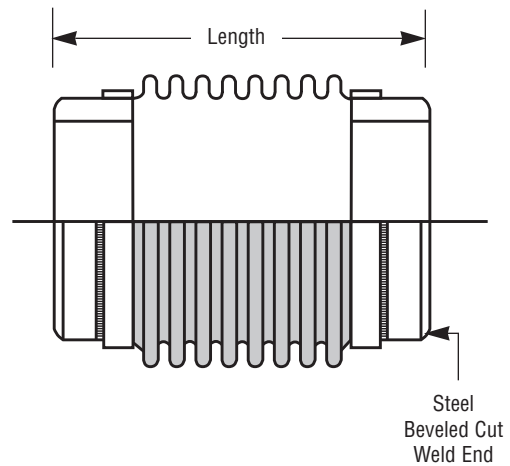


BELLOWSFLEX Metal Bellows Type Expansion Joints

**BELLOWSFLEX BF/150-FxF
(Flanged Ends)**



**BELLOWSFLEX BF/150-WxW
(Weld Ends)**



| | | Design Pressure 150 PSIG | | Test Pressure 225 PSIG | | | Max. Temperature 650°F | | |
|-----|------------|--------------------------|-------|---------------------------------|--------------------------------|--------------------------------|------------------------|--------|-------|
| QTY | I.D. (In.) | Length (In.) | | MOVEMENT CAPABILITY | | | Wt. (lbs) | | NOTES |
| | | FxF | WxW | Compression (In.) | Extension (In.) | Parallel (In.) | FxF | WxW | |
| | 2.00 | 8.50 | 8.00 | 1 ³ / ₁₆ | 3 ⁸ / ₁₆ | 7 ¹ / ₁₆ | 14.00 | 6.00 | |
| | 2.50 | 9.00 | 8.50 | 1 ⁵ / ₁₆ | 7 ¹ / ₁₆ | 1 ¹ / ₂ | 17.00 | 6.00 | |
| | 3.00 | 9.00 | 8.50 | 1.00 | 1 ¹ / ₂ | 3 ³ / ₁₆ | 22.00 | 9.00 | |
| | 4.00 | 10.50 | 10.00 | 1.00 | 1 ¹ / ₂ | 1 ¹ / ₄ | 34.00 | 18.00 | |
| | 5.00 | 12.50 | 12.00 | 1 ¹³ / ₁₆ | 7 ⁷ / ₈ | 1 ¹ / ₄ | 54.00 | 23.00 | |
| | 6.00 | 13.00 | 12.50 | 2.00 | 1.00 | 3 ³ / ₈ | 57.00 | 34.00 | |
| | 8.00 | 14.00 | 13.50 | 2.00 | 1.00 | 5 ⁵ / ₁₆ | 88.00 | 43.00 | |
| | 10.00 | 14.50 | 14.00 | 2.00 | 1.00 | 3 ³ / ₈ | 124.00 | 70.00 | |
| | 12.00 | 15.50 | 15.00 | 2.00 | 1.00 | 3 ³ / ₈ | 201.00 | 119.00 | |

| | |
|----------------|--|
| PROJECT | |
| CUSTOMER | |
| ENGINEER | |
| REPRESENTATIVE | |
| DRAWING # | |

FLEX-HOSE CO., INC. 

6801 Crossbow Drive
East Syracuse, NY USA 13057-1026

Telephone 315/437-1611

Fax 315/437-1903

www.flexhose.com

REV. 1/02

WS20160111

METAL BELLOWS EXPANSION JOINTS

BF/150 FxF & BF/150 WxW 2"-12" I.D.