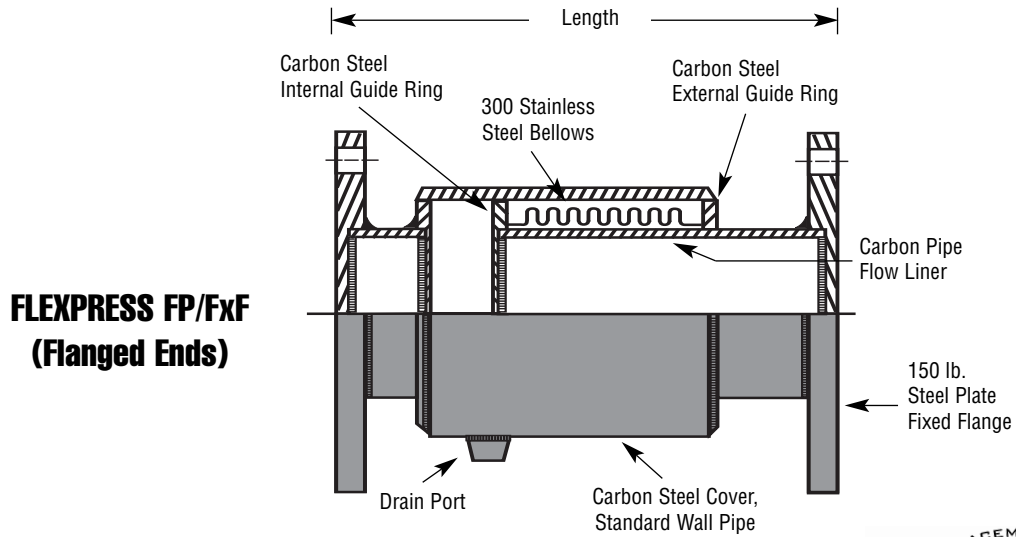


FLEXPRESS EXTERNALLY PRESSURIZED GUIDED EXPANSION JOINTS



**FLEXPRESS FP/FxF
(Flanged Ends)**

FP/150-FxF (Flanged Ends) Design Pressure 110 PSIG Test Pressure 165 PSIG Max Temperature 750°F							
FP/300-FxF (Flanged Ends) Design Pressure 225 PSIG Test Pressure 335 PSIG Max Temperature 750°F							
I.D. (In.)	Length (In.)		MOVEMENT CAPABILITY		Wt. (Lbs.)		NOTES
	FP/150-FxF	FP/300-FxF	Compression (In.)	Extension (In.)	FP/150-FxF	FP/300-FxF	
2.00	25.50	25.75	4.00	.75	44.00	49.00	
	34.50	34.75	6.00	1.12	56.00	63.00	
	41.50	41.75	8.00	1.50	65.00	72.00	
2.50	25.50	25.75	4.00	.75	51.00	56.00	
	34.50	34.75	6.00	1.12	65.00	73.00	
	41.50	41.75	8.00	1.50	75.00	84.00	
3.00	24.50	24.75	4.00	.75	63.00	75.00	
	31.00	31.25	6.00	1.12	74.00	87.00	
	39.50	39.75	8.00	1.50	91.00	106.00	
4.00	25.75	25.75	4.00	.75	99.00	121.00	
	32.50	32.50	6.00	1.12	117.00	141.00	
	41.25	41.25	8.00	1.50	144.00	170.00	
5.00	24.00	24.50	4.00	.75	128.00	158.00	
	30.00	30.75	6.00	1.12	149.00	181.00	
	36.25	36.75	8.00	1.50	171.00	203.00	
6.00	24.00	25.25	4.00	.75	144.00	190.00	
	30.25	31.25	6.00	1.12	167.00	214.00	
	36.25	37.50	8.00	1.50	191.00	239.00	
8.00	25.25	26.75	4.00	.75	228.00	295.00	
	32.00	33.50	6.00	1.12	265.00	336.00	
	38.50	40.00	8.00	1.50	302.00	377.00	
10.00	26.75	28.50	4.00	1.00	306.00	396.00	
	34.00	35.75	6.00	1.50	358.00	452.00	
	43.25	44.75	8.00	2.00	434.00	534.00	
12.00	28.00	30.50	4.00	1.00	400.00	540.00	
	35.75	38.25	6.00	1.50	467.00	610.00	
	45.25	47.75	8.00	2.00	562.00	712.00	

Burst to working pressure ratio is 4:1



CSA standard B-51 certified. Inspected and tested by the Technical Standards and Safety Authority of Canada.



PROJECT	
CUSTOMER	
ENGINEER	
REPRESENTATIVE	
DRAWING #	

REV. 8/02-C



6801 Crossbow Drive
East Syracuse, NY USA 13057-1026
315/437-1611 • Fax 315/437-1903
www.flexhose.com • 1.877.TRI FLEX

WS20160113

FLEXPRESS-FLANGED ENDS

FP/FxF 2"-12" I.D.